

RIHO

Installation & user manual

Installatie -& gebruikershandleiding

Montage- & Bedienungsanleitung

Manuel d'installation &d'utilisation





Installation & user manual

Installation and Operations Manual RIHO baths (whirlpools)

Contents		Page
1.0	Installation of RIHO baths (whirlpools)	.2
1.1	Safety regulations for bathrooms	.2
1.2	Whirlpool installation	.3
1.3	Delivery	.3
1.4	Pre-installation actions	.3
1.5	Bath installation	.4
1.5.1	Ventilation grid	.6
1.5.2	Inspection hatch(es)	.7
1.5.3	Panels	.7
1.5.4	Hot and cold water supply	.7
1.5.5	Water drain	.7
1.5.6	Electrical connection	.8
1.5.7	Potential difference equaliser	.8
2.0	RIHO acrylic baths (Whirlpools)	.8
3.0	Maintenance	.8
4.0	Controller	.8
4.1	Electronic controls	.8
4.1.1	Modes	.8
4.1.2	Aero system	.9
4.1.3	Hydro system	.9
4.1.4	Colour therapy	.9
4.1.5	Radio / Bluetooth function	.10
4.1.6	Clean function	.10
4.1.7	Thermostat	.11
4.1.8	Dry function	.11
5.0	Whirlpool jets	.11
5.1	Aero jets	.11
5.1.1	Sparkle aero jet	.11
5.1.2	Flat aero jet	.11
5.2	Hydro jets	.11
6.0	Protection system	.12
6.1	Disinfection and cleaning	.12
6.2	User tips	.13
7.0	Exceptional maintenance	.13
8.0	Service request	.15
9.0	Guarantee Terms and Conditions	.15
10.0	Technical data	
10.1	Main power connection (one hydromotor systems)	.15
10.2	Main power connection (two hydromotors systems)	.16
10.3	Failure description	.16

1.0 Installation of RIHO Whirlpools

The Whirlpool baths are fully in conformity with the applicable EN and national guidelines.

NOTICE:

- The installation of the bathtub must be carried out by an appropriately certified worker.
- The installation of the bathtub must be carried out in accordance with the assembly instructions given in these instructions and drawings for the bath, where its dimensions are stated; The position of the supports and fasteners is unique for each bathtub and must be found on the bathtub supplied.
- The customer is responsible for the proper preparation of construction, wiring and plumbing work.
- Use of cleaning materials other than those recommended by the manufacturer may result in damage to the tub and / or whirlpool system.
- Testing and restoring current protectors must be performed regularly.
- This appliance may be used by children under 8 years of age and older and persons with reduced physical, sensory or mental capabilities or lack of experience and knowledge if supervised or instructed to use the appliance in a safe manner and understand the potential hazards.
- Children can not play with the appliance.
- Cleaning and maintenance carried out by the user must not be carried out by children without supervision.
- The maximum allowable altitude for the use of the device is 2000 m. M.
- If the power supply is damaged and if there is any malfunction (eg nozzle, engine, light humidity, etc.) the bathtub must be turned off and contact the RIHO service department.
- Parts containing live parts, except for parts powered by a safe low voltage not exceeding 12 V, shall not be available to the person in the bath.
- Parts containing electrical components other than remote control devices must be located or fixed in such a way that they can not fall into the bath.

The whirlpool bathtub must only be adjusted by installers who can demonstrate to the competent authorities knowledge and skills to meet national safety requirements, ie water intake / drainage and power supply.

Before first use, the following test shall be carried out:

After installation, check if the bathtub is clean. The bath is filled with water at an inlet temperature of $40 \pm 5^\circ \text{C}$ to the level above the highest nozzle that allows the system to operate. Turn on the system and let it run for at least 10 minutes. Test the aero motor by using all 5 levels at least once during the test. Without draining, the whirlpool system shuts off 30 minutes after the last button has been touched. Check all pipelines, connections for leakage of water.

After all necessary adjustments to ensure the integrity or replacement of any defective elements, the procedure is repeated.

The installer and the first whirlpool owner must provide instructions for use and maintenance to other owners and users.

1.1 Safety regulations for bathrooms.

Electrical sockets, lamps, switches and/or other electrical equipment should be installed outside the danger zones indicated in the national guidelines and standards. Above all, the regulations prohibit the presence of any electrical installation within 60 cm around the bath, and less than 225 cm above it (see Fig.1). The switch and other electrical devices should be installed so as to be inaccessible to the person using the whirlpool.

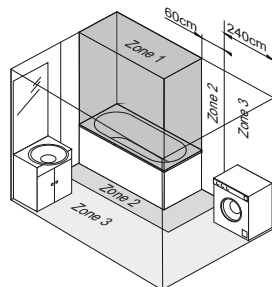


Fig. 1 Safety distances.

THE MANUFACTURER REFUSES TO ACCEPT ANY LIABILITY IN THE FOLLOWING CASES:

- Legal requirements or provisions for earthing, protective and electrical installation in the bathroom have not been met
- The applicable laws and standards for bathrooms have not been complied with
- The instructions in this manual have not been followed.

Parts are dismantled after inspection in the factory to facilitate transport and to enable it to be carried into the room in which it is to be installed. It is advisable to check all the components of the bath before installation.

Any damage claimed after installation will not be covered under the guarantee.

1.2 Whirlpool installation

All Riho Whirlpool baths are made of acrylic (see description: acrylic baths) and equipped with a Whirlpool system of the customer's choice.

Please refer to the Riho price lists for details of all options.

1.3 Delivery

Generally, all whirlpool systems are fully installed, functionally tested and packed.

ATTENTION:

Before installation remove the cardboard packaging and the foil to check the bath for damage, as well as material and/or manufacturing defects. Protect the bathtub properly during installation (e.g. cardboard, blanket, bubble foil, ...). After installation, RIHO can only give a guarantee on hidden material defects.

WARNING:

Make sure chrome parts don't come into contact with materials or water used to remove building materials, such as mortar, grout or tile adhesive, because of possible chemical components in the composition which can damage the chrome surface.

1.4 Pre-installation actions

Before connecting the bathtub, it must be installed:

- Ventilation grid for the motor(s) of at least an effective surface of 100cm² for each Hydro or Aero system and 200cm² for combined systems Hydro/Aero.
- It is recommended to install 2nd ventilation grid for natural ventilation (to the extent possible, they should be placed as far apart as possible). Both grids together have then at least 200cm².
- Inspection hatch(es) of at least 40 x 50cm for service access (at least to the motors). In front of the openings, a space of at least 50 cm width must be freely accessible for access to the technique - see Figure 5. Riho recommends that an inspection hatch should be placed near the overflow opening.
- Hot and cold water supply.
- Water drain
- Electrical connection, one group of 3x2,5 mm²; 230/50Hz
- Electrical connection, two groups of 3x2,5 mm²; 230/50Hz (or one group of 5x2,5 mm²) for a two hydromotor system
- Potential difference equalization 4-6 mm² earth connection to whirlpool frame.
- Fixed connection to circuit-breaker with disconnection options (e.g. switch with status indication).

Before installing the bathtub, pay attention to the following:

- Verify that the whirlpool is not damaged before installation. After installation, the warranty applies only to hidden defects. The cost of dismantling the whirlpool will not be paid in case of defects found after installation.
- Do not use pipes, hoses or nozzles installed to handle tubs during transport and installation.
- Check the tightness of all connections on the bathtub before installation.
- The whirlpool must not touch the walls to prevent engine vibrations. Between the tub and the wall, it is recommended to apply an insulating tape for noise reduction.
- When fixing the cover panels, take care of the height of the panel relative to the bottom edge of the bathtub. Because of ventilation, the panel must be positioned at least 5 mm above the floor.

NOTICE:

Cover panels must be installed in such a way that the space under the bathtub meets ZONE 3 criteria, see Chapter 1.1, ie. so that the space under the bathtub is not accessible without using the tool!

1.5 Bath installation

- Protect the bathtub properly during installation (eg carton, blanket, bubble foil, ...)
- A metal support frame with 4 or more adjustable legs will be supplied with the bath. With the adjustable legs, ensure that the bath is properly leveled and at the right height and do not forget to tighten the lock nuts afterwards. Check to ensure that all the legs are resting properly on the floor.

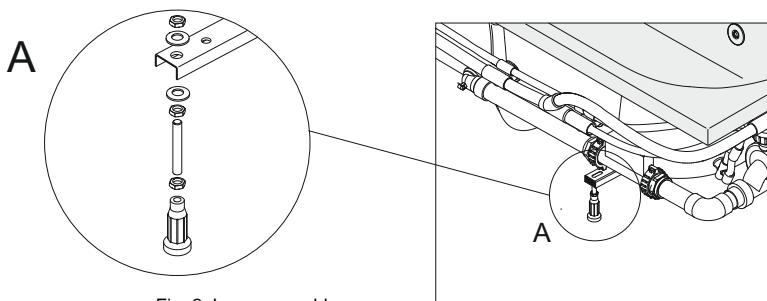


Fig. 2 Legs assembly

- If necessary, install the overflow-drain combination in the bath. Check whether all the components are properly mounted according to the attached installation specifications of the manufacturer.
- The bath may be fixed on the wall with a wooden lath (see Fig. 3 wall mounting) or using the clips provided (alternative) that are fixed to the wall as shown on the next page. This mounting method is valid for installing the bath against tiles. It is not advisable to have the tile edge on the bath as this could make access to installed mechanical and electrical components difficult.
- Level the bath properly.
- Connect the bath to the drain pipeline.

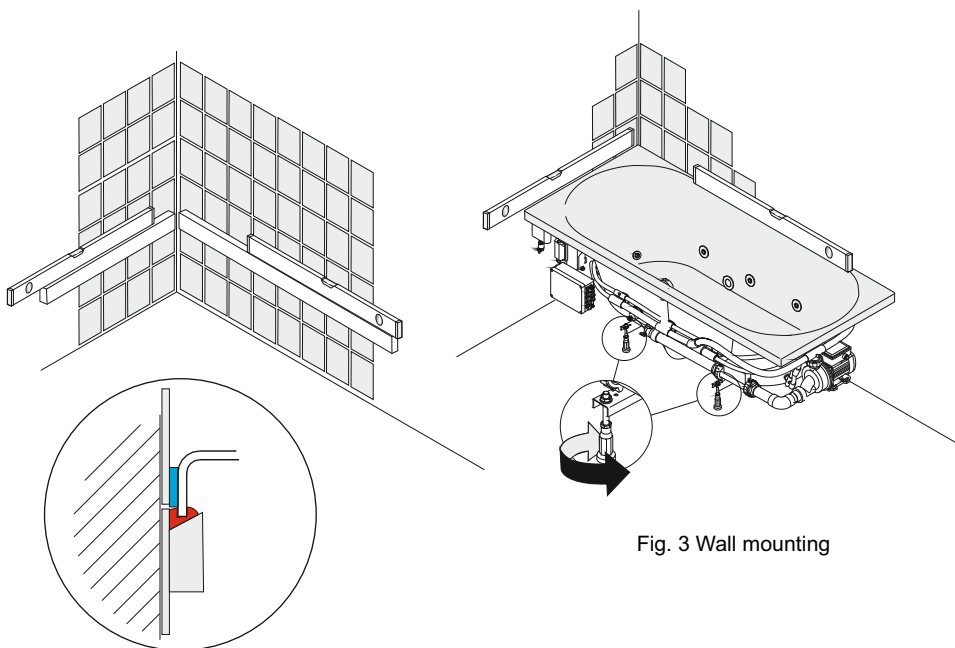
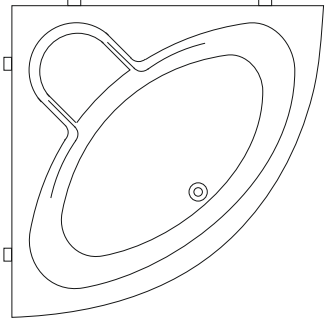
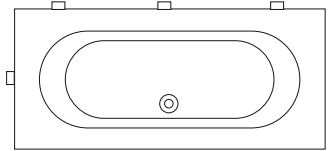
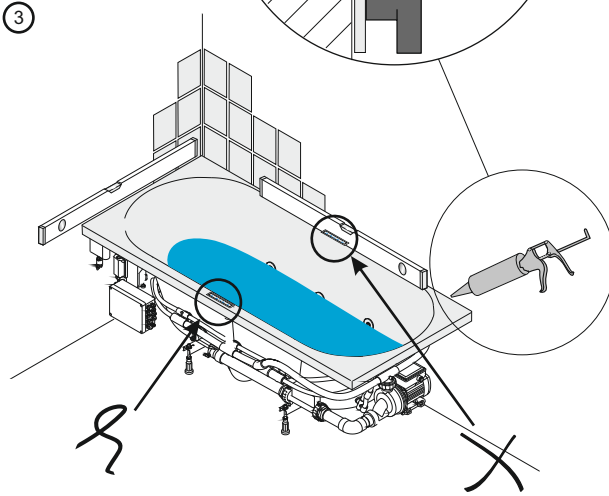
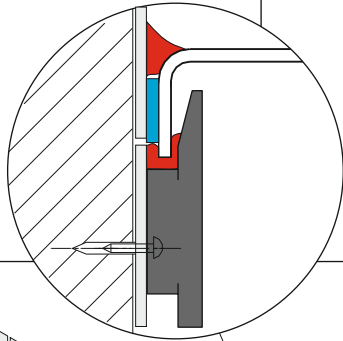
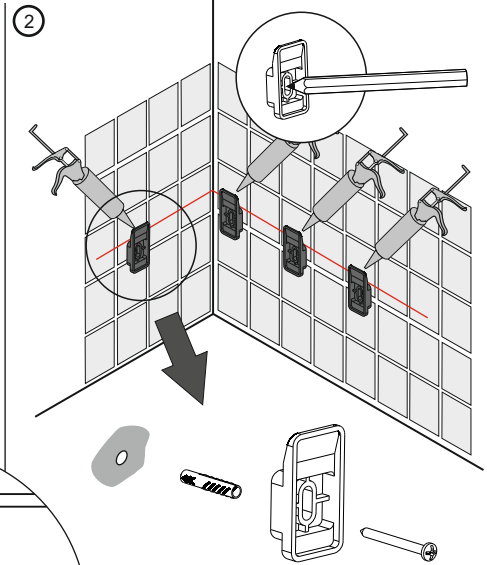
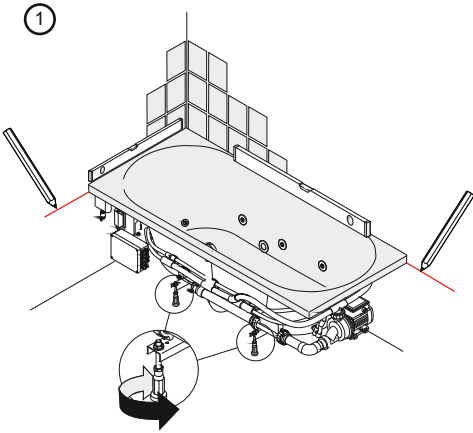
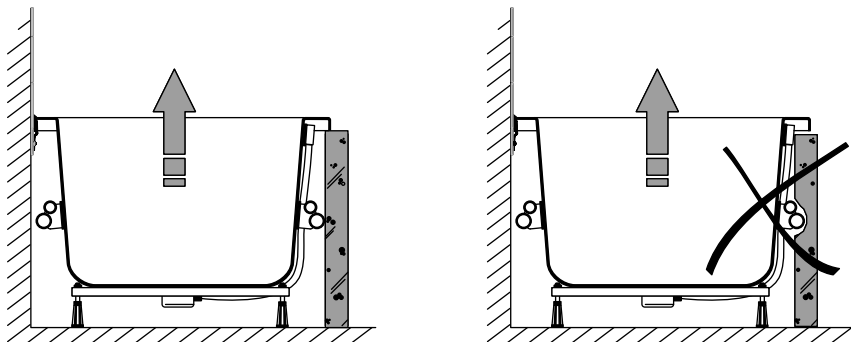


Fig. 3 Wall mounting



4



- Fill half the bath with water and check whether the bath is still horizontal. This is necessary. Use the adjustable legs for correction. Check whether the drain pipeline connection is watertight and then fill up the bath up to the overflow rim. Allow it to overflow and check the sealing and proper drainage of water via the overflow connection.
- The open sides of the bath may be finished with plastic panels or with a tile wall. This may be done for the entire rim, or only in certain sections.
- **For sealing the bath joints, only use acid-free silicon sealant suitable for plumbing applications.**
- The bath may be placed in several ways:
 - The bath may be placed against the tiles of the wall. Apply silicon sealant all around the rim to absorb the movements of the bath if any. This 4 to 5 mm space is required to absorb the torsional forces acting on the rim of the bath
 - When the bath is finished with a wall on the underside instead of a acrylic panel, there should be a joint between the top of the wall or row of tiles and the bottom of the bath of 4-5mm. This joint must also be sealed with silicon.

The silicon sealant provides a good watertight finishing joint and allows the bath to expand to some extent. It is also necessary to fill the bath with water up to the overflow rim and to ensure that the bath is resting properly on all its legs before you start sealing.

1.5.1 Ventilation grid

In order to ensure optimum operation of the motor(s), it is necessary to install two ventilation grids in the edge or in the wall under the bath. This grid must be splash-proof and placed so that splashing water does not find its way under the bath. The minimum effective flow surface of the grid must be 100cm² for each Hydro or Aero system and 200cm² for combined systems Hydro/Aero and should not vent in places where the temperature is less than +15°C and more than +35°C. (See Fig. 4)

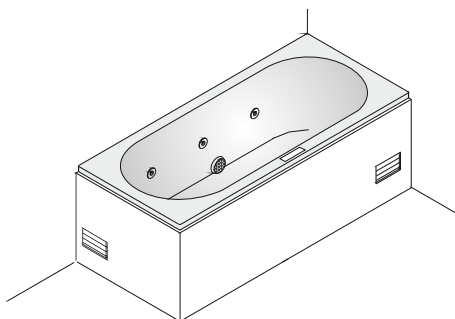


Figure 4 Ventilation grid

1.5.2 Inspection hatch(es).

To enable maintenance the tub panel or wall must be fitted with a splash-proof hatch with a size of at least 40x50cm. Such an opening must be positioned close to each engine and heater. In front of the openings, a space of at least 50 cm wide for access to the electronics must be freely accessible. See figure 5. See the RIHO Technical Catalog for the exact position of the holes. The Riho maintenance service cannot service the motors if there are no inspection hatches or if the hatches are too small. For the best accessibility to the system Riho advises you use cover front panels (if available for the bath type).

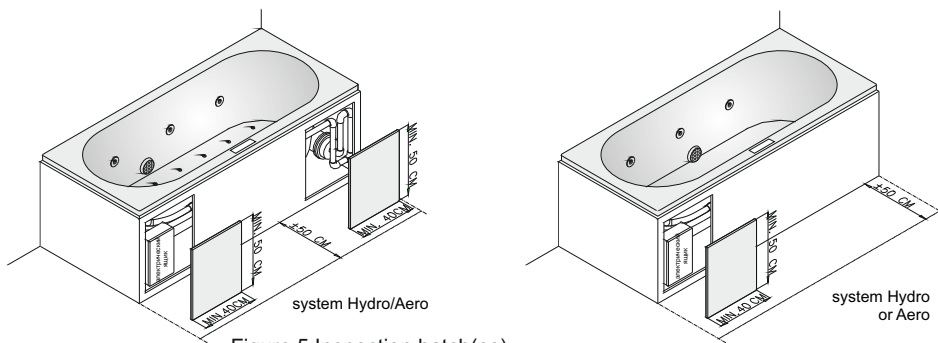


Figure 5 Inspection hatch(es)

1.5.3 Panels

Where panels are used, do not seal them. They must be removable. Cover panels must be installed in such a way that the space under the bathtub meets ZONE 3 criteria, see Chapter 1.1, ie. so that the space under the bathtub is not accessible without using the tool!

1.5.4 Hot and cold water supply.

The supply pipelines may be installed on the rim of the bath or on the wall for connection to the bath tap. A drainage overflow installation with water supply can also be supplied. Ask your dealer for Riho overflow-drain combinations with water supply in the bath. **Maximum allowable water temperature is 60°C**

In case of installation of a drainage overflow installation with water supply in the bath, an aerator water supply should be installed in the supply line. This is to prevent dirty water from flowing back into the supply pipeline.

1.5.5 Water drain

Connect the drain pipeline with siphon to the bathroom drain pipeline (min 40 mm). The bathroom drain pipeline must be positioned at around 25-35 cm from the center line of the bath's drain, and should have sufficient drainage so that adequate drainage is ensured (see fig. 6).

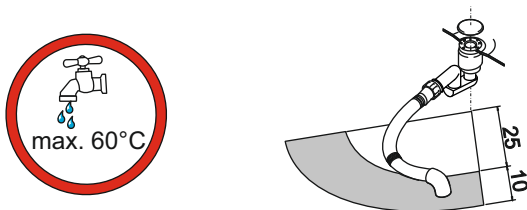


Fig. 6: Waste instalation

1.5.6 Electrical connection

The electrical supply for the installation must be provided with suitable cable and the connection has to be made in a waterproof box. The whirlpool is delivered with a 3x2.5mm² or 5x2.5mm² cable (5x2.5mm² in case of whirlpool with two hydromotors). The whirlpool bath must be connected with cable 3x2.5mm² 230V / 50Hz (if delivered with a 3x2.5mm² cable). In the case of whirlpool is delivered with a 5x2.5mm² cable, it is necessary to use 2 phases. The connection must be made with a cable 5x2.5mm² 400V / 50Hz (2 phases, 2 neutral, 1 ground) or two cables 3x2.5mm² 230V / 50Hz. Each cable has to be protected by the appropriate circuit breaker 16A with characteristic C and earth leakage circuit breaker up to 30mA. It is necessary to ensure disconnection of all poles in the fixed supply line. The disconnecting element must have contact distances so as to ensure that all poles are completely disconnected at Category III overvoltage (e.g. switch with status indication). Please observe local laws and regulations regarding electrical connections. In case of doubt, consult a plumbing specialist or contact one of the RIHO assembly or service centres.

1.5.7 Potential difference equaliser

The installation must be supplemented by a separate additional connection wire, which must be led out of the main potential interconnection of the building or from the switchboard from which the connection for the whirlpool is taken. This wire must have a solid core with a minimum cross-section of 4-6mm² and its insulation must be in green-yellow combination.

2.0 Riho acryl (PMMA) tubs (Whirlpools)

All Riho baths are made of acrylic (polymethyl methacrylic) and supported in the bottom with chipboard and reinforced with glass fibre polyester.

Acrylic is a plastic and coloured all the way through. The properties of acrylic provide the user with the maximum bathing comfort, provided the appropriate installation and maintenance instructions are duly followed.

3.0 Maintenance

- Thanks to the non-porous, smooth surface of the material, dirt will not or will hardly stick to the material. Maintenance can be limited by cleaning the bath after use with a wet sponge or cloth and a liquid cleaner (without abrasive material).
- The repair of small cracks and similar damage to the bath can be performed by the user. If you want to repair minor damage, due care is recommended. You may proceed as follows:
 - If there are fine scratches, it will be adequate to use a chrome and lacquer polisher (solvent and abrasive free). If the result of this is not satisfactory, you may sand off the damage with waterproof sandpaper no. 600 and then with waterproof sandpaper no. 1000. Reprocess with a chrome and lacquer polisher for a perfect end-result and your bath will be as good as new.
 - A complete set may be obtained from your dealer.

WARNING:

You may repair your bath yourself at your own risk!

Major damage, deep scratches, holes and even cracks may be repaired and can almost be made to disappear. It is recommended that these should be repaired by specialised technicians.

4.0 Operation

4.1 Electronic Controls.

Before using the whirlpool installation, fill the bath up to 5 cm above the highest jet (hydro system) and to about 15 cm under the rim (aero system).




Do NOT touch, handle or use electrical appliances when using the whirlpool. This is highly dangerous.

4.1.1 Modes.

Standby:

When the system is in standby mode the icons will not light up.


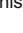
Power on:

Touch the " **RIHO** "button on the control panel to turn on the system. The display will now show the current temperature. If there is no operation within 30 seconds after turning on the system or when the "  "button is touched and held for 2seconds, all buttons will be locked except the "  "button. Touch the "  "button to unlock the system.

Power off:

When the system is on, shortly press the " **RIHO** "button to turn off the system. If there is no operation after the system is turned on, the system will automatically turn off after 30 minutes. If you do touch any button the system will function for 30 minutes from the moment the last button was touched.

Safety lock:

When touching the "  "button for two seconds the lock function is turned on. All buttons are deactivated until the system is unlocked. This can be done by shortly touching the "  "button.

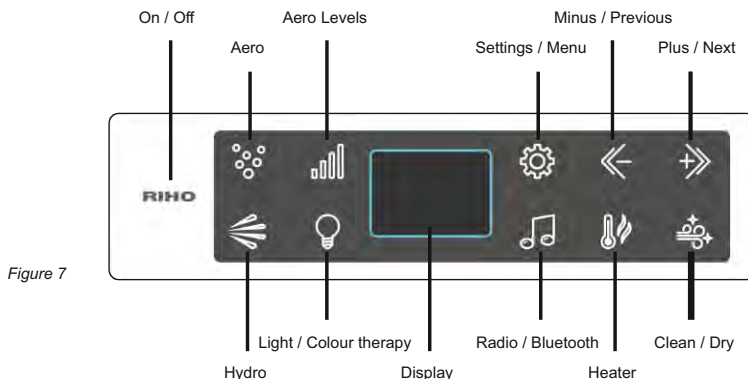


Figure 7

4.1.2 Aero function.

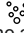
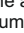
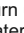

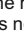
Touch the "  "button on the control panel to power on/off the aero function. When the bath is filled (waterlevel is sufficient), the aero pump will start working and the "  "button will light up (not dimmed). The aero pump will start at its maximum speed (level 5). When the bath is filled (waterlevel is sufficient) and you touch the "  "button the speed will turn up one level at the time. After level 5 it returns to level 1 then 2, 3, 4 and then back to 5. When the bath is empty (waterlevel is not sufficient), the aero function will not work. When this button is not touched for 5 seconds, the system will exit the aero speedsetting mode. The LCD screen shows "Lx" (x is speed level) as fig 8 shows:


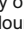
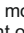


Figure 8

4.1.3 Hydro function.

Touch the "  "button on the control panel to power on/off the hydro function. When the bath is full (waterlevel is sufficient), the hydro pump will start working and the "  "button will light up (not dimmed). When the bath is empty (waterlevel is not sufficient), the hydro function will not work and the backlight will stay in a dimmed state. This also happens when the hydro function is on and the water level drops under the minimum level. The hydro function will then stop and the backlight will return to a dimmed state.

4.1.4 Colour therapy.

Touch the "  "button on the control panel to turn on/off the chroma light. The chroma light will change colour automatically once activated and the backlight of the button repeatedly turn on/off at this time. When you reach your preferred colour you can lock it by touch and holding the "  "button for 2 seconds. The backlight of the button will be on in this mode (not dimmed). To resume the colour loop touch and hold the "  "button for 2 seconds again. The backlight of the button will again fade in and out repeatedly.

4.1.5 Radio / Bluetooth function.

Touch the "🎵" button on the control panel to turn on the radio. The display will now show the current radio channel, frequency and volume. Touch this button again to turn off the radio and proceed to the bluetooth music function. Touch the button again to turn off the music function.



Figure 9



Figure 10

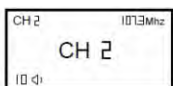


Figure 11



Figure 12

When the radio is on, touch the "⚙️" button and you will see the volume on the display as shown in fig.9. At this time you can change the volume by touching the "◀️" or "▶️" button. The volume range is from level 0 to level 15. When the radio is on, and you touch the "⚙️" button multiple times, you will see the display as in fig.10. At this time you can change the frequency 0.1Mhz by touching the "◀️" or "▶️" button. The range is from 87.5-108Mhz. Touch and hold one of these buttons for 2 seconds to search for channels, as it will stop when it finds a channel and play it. When you get the channel you need, just wait shortly and the system will exit the setting state. Touch and hold the "🎵" button for 2 seconds to save the current channel. After you successfully saved the channel you will see its number on the display as is shown in fig.11. The system is able to save 10 channels in total. When the radio is on and you touch the "⚙️" button three times till you see the icon as it shows in fig.12. Touch the "◀️" or "▶️" button to choose the radio channel you like.

When the system is on, use the bluetooth function on your bluetooth device to search the signal of the bathtub with the name "SANJUN MUSIC". You can adjust the name to your own liking with your bluetooth device. Pair the device, if the connection fails for some reason, the bluetooth icon "📶" will flash. If this happens, please try to connect it again. Touch the "🎵" button twice to go to bluetooth music, you then see the "📶" icon on the display as in fig.13.



Figure 13

Now you can play the song from your bluetooth device. Touch the "🎵" button to turn off the bluetooth function. When the bluetooth music is playing a song, use the "⚙️" button to go to the volume adjusting menu as shown in fig.14. Touch the "◀️" or "▶️" button to adjust the volume. The volume range is from level 0 to level 15.

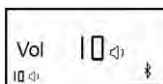


Figure 14



Figure 15

When the bluetooth mode is on, use the "⚙️" button to go to the screen as it shows in fig.15. Now touch the "◀️" or "▶️" button to choose the song you like. Bluetooth music will turn off automatically 10 seconds after the system is turned off.

4.1.6 Clean function.

When the system is on and the water level is sufficient, touch the "🌀" button followed by the "⚙️" button to go to the clean menu as is shown in fig.16. To initiate, touch the "▶️" button and the "☒" icon will change into an "☑️" icon. To abort the clean cycle touch the "🌀" button.

1. 8 Seconds after activating the clean function the hydro pump and aero pump start.
2. After 7 seconds the clean valve opens for 3 seconds and switches off automatically.
3. After this the hydro pump and aero pump operate for 80 seconds followed by a 20 seconds pause. After this 20 seconds the hydro pump and aero pump resume operating for 90 seconds. After these 90 seconds the clean cycle is finished and it will turn off automatically.

When trying to turn on the clean function when there is not enough cleaning liquid in the tank you will see the "⚠️" icon appear in the screen in a blinking mode. After 3 seconds the icon will disappear.

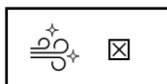






Figure 16


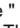


4.1.7 Thermostat.

The thermostat function is restricted by the hydro pump function. Touch the "🔥" button to turn on the thermostat function. The heater needs to work simultaneously with the hydro motor, therefore the hydro button will light up together with the heater button. To turn off the thermostat function you can touch the "🔥" button as well as the "⏸️" button. The hydro pump can only be stopped when you touch the "⏸️" button. The heater will only turn on

when the water temperature is at least 1 degree lower than the set temperature. When the water reaches the set temperature the heater will stop heating until the temperature drops again. When the heater is on, you can touch the "  "button to turn it off and so will the backlight of the button. If the thermostat function is on and the water level drops below the minimum water level it will turn off as well. To set the temperature you can use the "  "button when the heater is on. You will then see the temperature appear on the screen and you are then able to increase the temperature with the "  "button and decrease it with the "  "button.

ATTENTION: The heater is meant to keep the bath water at a certain temperature level and not to heat up the water from cold to warm.

4.1.8 Dry function.

When the system is on and there is no water in the bathtub, you can touch the "  "button to start the dry function. The dry function goes from level 1 to level 5 for a period of 15 seconds each step, once level 5 has finished the dry function stops. This whole dry cycle takes 75 seconds. During this dry function the "  "button is blinking. After emptying the bath the auto dry function will initiate automatically after 15 minutes. The "  "button will be on and start the dry-blow program. When the auto dry program has finished the "  "button will turn off automatically.

5.0 Whirlpool Jets

5.1 Aero jet

As the word Aero already indicates, this is a jet for air flow. The air swirls through the water, which gives a relaxing effect. The air from the aero jet opening enters the bath with a certain speed. The air may therefore be perceived as cold. The jet house itself becomes somewhat warm.

5.1.1 Sparkle aero jet



The Sparkle aero jet has a chrome surface finish. This jet also produces a finer bubble compared to the other aero jets.

5.1.2 Flat aero jet



The Flat aero jet has a chrome surface finish. To clean the jet, the inner part can be taken out with a small screwdriver.



BE AWARE: Be very careful not to damage the chrome surface. After cleaning the jet house, the inner part can be pushed back. The inner part is clamped by an O-ring.

5.2 Hydro jets

Hydro jets have a mixed flow of water and air. This results in a powerful ray with a massaging effect. The function of the types of jets are explained below.

ATTENTION: Because some type of jets can be closed by turning, it is possible to close the jets while the motor is running. Don't do this and make sure at least one closable jet is open at all time. Otherwise the motor can get overheated because of too much pressure.



The Lux hydro jet has a complete chrome surface finish. The flow through the jet can be directed stronger or softer. By turning the inner part of the jet by hand the flow can be adjusted. When the inner part is turned clock wise, the flow will be less heavy.

6.0 Protection system

If there is insufficient water in the bath, the system will not switch on in order to prevent the pumps from running dry. In addition all motors are fitted with a thermal switch. These will switch off the motors in the event of problems.

6.1 Disinfection and cleaning.

Application of (Riho) Cleaning products; Cleaning liquid, Cleaning/disinfect tablets and Soda.

Whirlpool Cleaning Products are for cleaning/disinfecting the Hydro System. An Aero system blows air only and can't/doesn't need to be cleaned with a special product.

Two products;

1. Riho Cleaning Liquid
2. Riho Cleaning/disinfect Tablets (not available in Belgium)
3. Soda

The RIHO cleaning products are mild in composition and ideal to use in our RIHO whirlpools.

During normal use of the whirlpool it is advisable to clean it every 4 to 5 whirlpool turns, interspersed with Riho cleaning liquid and tablets. By little use of the whirlpool, it is advisable to clean the bath in advance, so that the system is clean before using.

1. Clean Liquid / Cleaning Fluid

This is for the cleaning of the hydro system. You fill the tub to just above the upper jets.

Fill the clean-tank with clean liquid. The whole bottle fits in the tank and lasts for 6-8 cycles.

Please follow chapter 4.1.7 of this manual. After end of whole process, drain the tub and rinse with clean water.

2. Cleaning Tablets

Cleaning Tablets are to disinfect the Hydro System.

Fit the bathtub over the top jets. Put RIHO CLEAN cleaning tablets into the tub - 1 tablet per 50 liters of water. Start the massage system for 10 minutes, then leave the water in the tub for another 10 minutes. Run the system again for 2 minutes. Drain water and wash out the bathtub thoroughly with cold water. The bath can be used immediately after wash out. When using the whirlpool regularly, repeat cleaning once a month.

3. Major cleaning cycle with Soda

When you see black flakes in the water during the use of the whirlpool system we recommend cleaning with soda. Fill the whirlpool just above the upper jet. Add a bag of soda to the water and make sure it is resolved because otherwise it can cause scratches. Turn the Hydro system manually on and off (1 ½ to 2 minutes each time, repeat this 4-5 times for good flushing of all tubes and hoses). This bath water can soak overnight so that it loosens stubborn dirt.

In the morning you repeat the process and you can empty the dirty water from your whirlpool.

For stubborn stains, the procedure may be repeated two or more times. The black flakes would be less at every turn and eventually disappear.

WARNING:

The following points are essential when using Riho Clean/Disinfection tablets and Riho Clean Plus liquid:

- Keep the products out of reach of children.
- Avoid contact with the eyes and face.
- Do not swallow.
- In the case of skin/eyes/face contact, wash with water.
- Do not inhale.
- Do not sit in the bath after these products have been added.

Clean products of other brands are not tested on our products and therefore its effects are unknown to us.

6.2 User tips

- In case of health problems: Consult your doctor before using the whirlpool system.
- The maximum recommended duration for using the whirlpool is 10 minutes.
- The whirlpool system should not be used immediately after a meal.
- Bath foam (bubble bath), shampoos or soap should only be used after using the whirlpool system. If these media are used prior to operation or when the Whirlpool bath is in operation, a great deal of foam will be generated.

7.0 Exceptional maintenance

WARNING:

Always switch off the power supply before carrying out any maintenance or other work.

ATTENTION:

The whirlpool service department cannot provide a service if there are no inspection hatches or the inspection hatches are too small. In these cases, the customer has to make the whirlpool system available at his own expense!

For extraordinary maintenance, please approach the authorised Service Centres. The guarantee will become void if the product is used improperly by unauthorised personnel, and the manufacturer's liability for the safety of the product will be cancelled immediately. If any parts fail, only use original and approved spares, otherwise the guarantee will become void and the liability of the manufacturer for the safety of the product will be cancelled immediately.

Detecting and resolving problems.

Problem 1.

The whirlpool does not work when the control panel is touched.

Cause 1:

The whirlpool is not connected to the mains.

Solution 1:

Connect the whirlpool properly.

Check the fuses.

Turn the power supply on.

Cause 2:

The water level is not high enough.

The electronically controlled whirlpools are fitted with a level sensor, and only allows the system to function when the water level is high enough.

If there is sufficient water in the bath, check whether the water level sensor has come loose during transport or installation.

Solution 2:

Add more water if the water level is too low.

If the level switch is loose, please contact a Riho service centre.

Problem 2.

The mini back jets do not work when the hydro motor is switched on.

Cause 1:

The valve stays shut.

Solution 1:

Switch off the mains supply using the main switch, wait 1 minute, then switch on again, thus resetting the electronics.

If the problem persists, please call your service centre.

Problem 3.

The cleanpool system does not work.

Cause 1:
No cleanpool liquid in the reservoir.

Solution 1:
Refill cleaning liquid.

Cause 2:
The cleaning liquid does not get stored in the reservoir because the magnetic valve of the reservoir stays open.

Solution 2:
Check the magnet valve at the bottom of the cleanpool tank and replace if necessary. Call your dealer in case replacement is needed.

Problem 4.
The whirlpool does not work at all.

Cause 1:
By repeatedly pressing the controls deliberately or inadvertently for a large number of times, the electronics can get confused.

Solution 1:
Switch off the mains supply using the main switch, wait 1 minute, then switch on again, thus resetting the electronics. If the problem persists, please call your dealer.

Problem 5.
The system does not work.

Cause 1:
The hydro or aero motor has a thermal safety switch. If this overheats, the motor will switch off. A probable cause for this is a blocked motor.

Solution 1:
This can be solved by removing the inspection hatch at the back of the motor and to check whether the axis can be turned using a screwdriver. If the pump is blocked, it needs to be disassembled and cleaned. Trying to start a blocked motor/pump a number of times may cause damage.

Problem 6.
The Bluetooth device does not connect to the system.

Cause 1:
Another device is still paired with the Bluetooth channel.

Solution 1:
First disconnect the Bluetooth connection with the paired device so another device can be paired with the system.

Problem 7.
Heating does not work.

Cause 1:
Heating is linked to the primary hydro system.

Solution 1:
Are these systems switched on? If not switch these on, followed by the heating.
If this does not work call a Riho service centre.

8.0 Service request

For service requests, contact your dealer.

NOTICE:

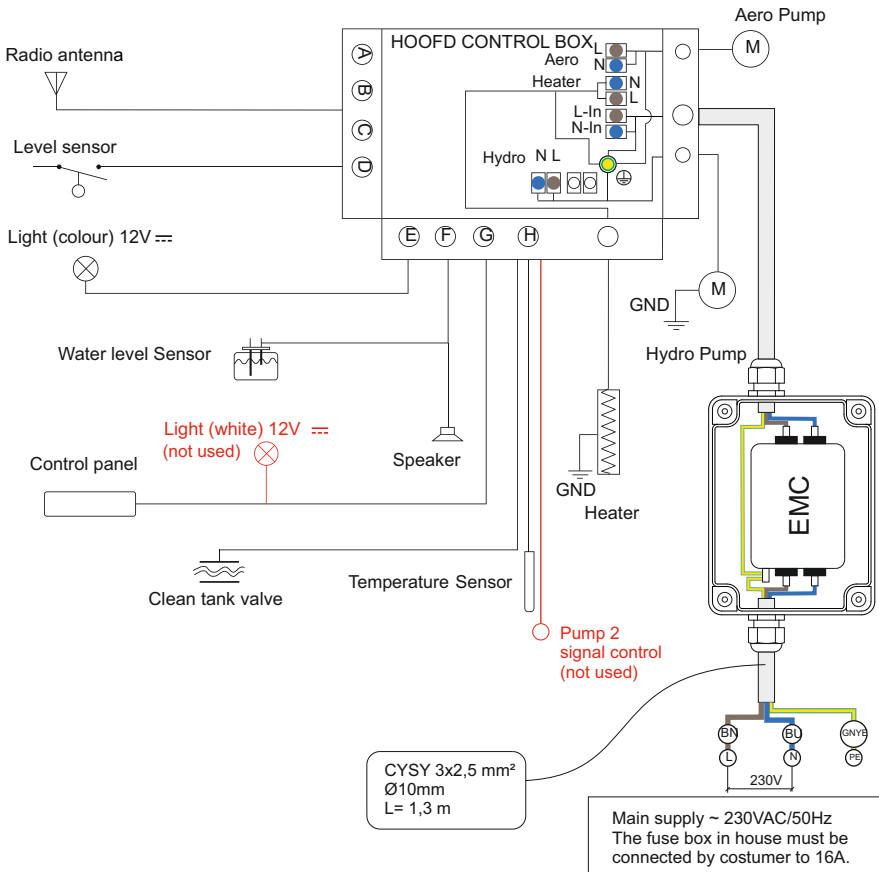
- According to the Installation instructions, it is necessary to have an inspection hatch of at least 40x50 cm in the case of a walled-in type of installation. Also ventilation grid(s) have to be installed.
- The room must be free of obstacles in order to be able to carry out any work.
- If a panel has been sealed, please remove the sealant before the technician arrives.

9.0 Terms and Conditions of Guarantee

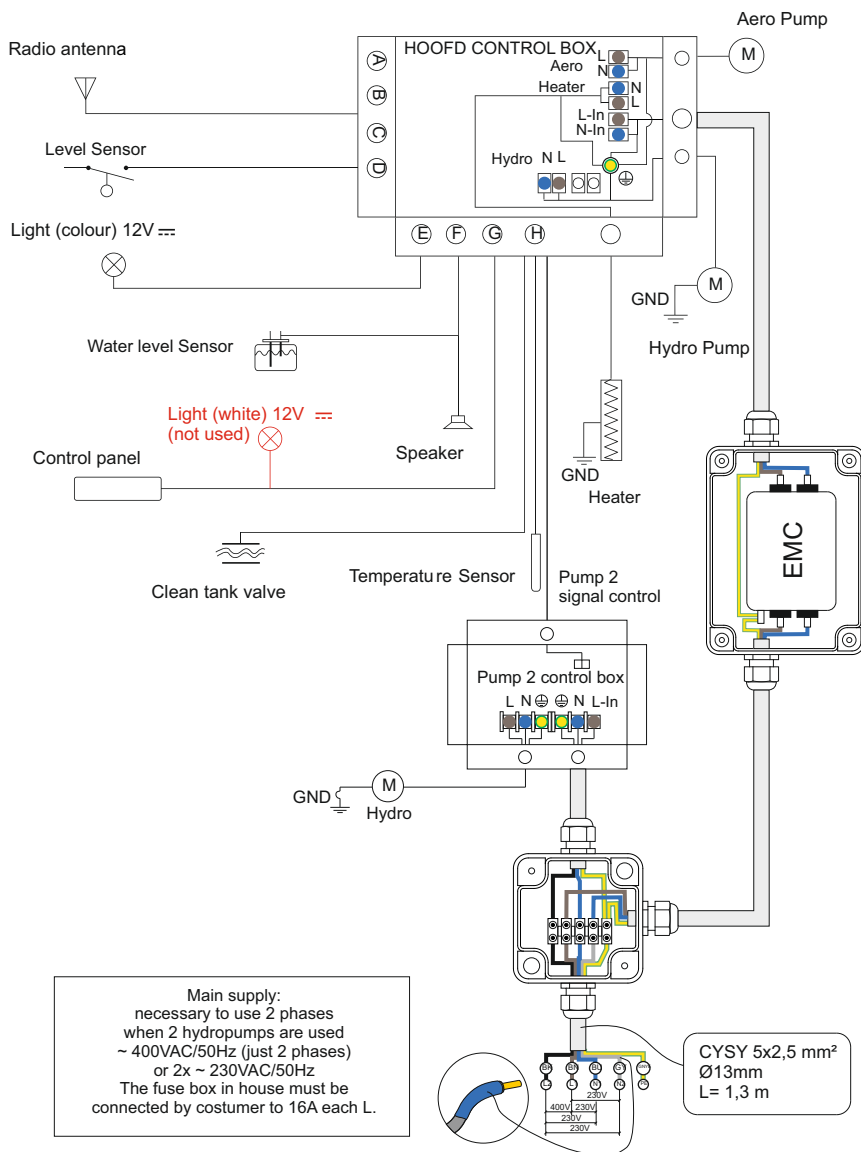
For the latest version of our terms and conditions of guarantee, you can visit our site: www.riho.com

10.0 Technical data

10.1 Main power connection (one hydromotor system)



10.2 Main power connection (two hydromotors systems)



10.3 Failure Description

The LED light of the control box:

- Does not light up, which means the control box is not connected (properly) to the power.
- Is constantly on, which means the control box fails to communicate with the control panel.
- Flashes, which means the control box is functioning normally.



Installatie-&gebruikershandleiding

Installatie- en bedieningshandleiding RIHO baden (whirlpools)

Hoofdstuk		Pagina
1.0	Installatie RIHO baden (whirlpools)	.2
1.1	Veiligheidsvoorschriften voor badkamers	.2
1.2	Whirlpool installatie	.3
1.3	Levering	.3
1.4	Vorbereidende werkzaamheden	.3
1.5	Bad installatie	.4
	1.5.1 Ventilatie roosters	.6
	1.5.2 Inspectie luik(en)	.7
	1.5.3 Panelen	.7
	1.5.4 Heet- en koudwatertoevoer	.7
	1.5.5 Waterafvoer	.7
	1.5.6 Elektrische aansluiting	.8
	1.5.7 Potentiaal vereffening	.8
2.0	RIHO acryl baden (Whirlpools)	.8
3.0	Onderhoud	.8
4.0	Bediening	.8
4.1	Elektronische bediening	.8
	4.1.1 Stand	.8
	4.1.2 Aero systeem	.9
	4.1.3 Hydro systeem	.9
	4.1.4 Kleuren therapie	.9
	4.1.5 Radio / Bluetooth functie	.10
	4.1.6 Reinigings functie	.10
	4.1.7 Verwarming	.11
	4.1.8 Droogblaas functie	.11
5.0	Whirlpool jets	.11
5.1	Aero jets	.11
	5.1.1 Sparkle aero jet	.11
	5.1.2 Flat aero jet	.11
5.2	Hydro jets	.11
6.0	Beveiliging	.12
6.1	Desinfectie en reiniging	.12
6.2	Gebruikers tips	.13
7.0	Buitengewoon onderhoud	.13
8.0	Service-aanvraag	.15
9.0	Garantievoorwaarden	.15
10.0	Technische data	
10.1	Aansluitschema (een hydromotor systeem)	.15
10.2	Aansluitschema (twee hydromotoren systeem)	.16
10.3	Foutmeldingen	.16

1.0 Installatie RIHO baden (Whirlpools)

De whirlpool installaties zijn volledig in overeenstemming met de EU voorschriften en de nationale wetgevingen die op dit gebied zijn gemaakt.

LET OP:

- De installatie van het bad moet worden uitgevoerd door een erkend installateur.
- De positie van de steunen en bevestigingsmiddelen is uniek voor elk bad en moet daarom worden toegepast op het meegeleverde bad.
- De klant is eindverantwoordelijk voor goede constructie voorbereidingen, bekabeling en loodgieters werk.
- Het gebruik van schoonmaakmiddelen met andere dan de door Riho voorgeschreven middelen kan schade veroorzaken aan het bad of whirlpool systeem.
- Het systeem mag worden gebruikt door kinderen en personen met verminderde fysieke, sensorische of mentale capaciteiten of gebrek aan ervaring en kennis als deze worden begeleid of geïnstrueerd. Dit om de whirlpool op een veilige manier te gebruiken en om de mogelijke gevaren te begrijpen.
- Schoonmaak en onderhoud uitgevoerd door de gebruiker mag niet gebeuren door kinderen.
- De maximum toegestane hoogte voor het gebruik van het systeem is 2000 m. M.
- Als de stroomtoevoer is beschadigd en bij een defect (b.v. nozzle, motor, lichte vochtigheid, etc.) moet het systeem uitgeschakeld worden en contact worden opgenomen met de RIHO service afdeling.
- Onderdelen met delen onder stroom, met uitzondering van onderdelen met een veilige laagspanning van maximaal 12 V, mogen niet toegankelijk zijn voor de persoon in het bad.
- Onderdelen met andere elektrische componenten dan afstandsbedieningen moeten zodanig worden geplaatst of bevestigd dat ze niet in het bad kunnen vallen.

Het whirlpool bad mag alleen aangepast worden door installateurs die aan de bevoegde autoriteiten de benodigde kennis en vaardigheden kunnen demonstreren om aan de nationale veiligheidseisen te voldoen, zoals water inname / afvoer en stroom voorziening.

Voor het eerste gebruik, voert u eerst de volgende testen uit:

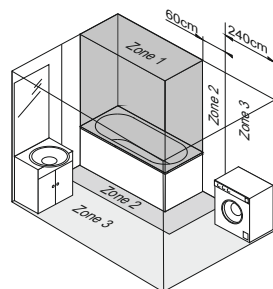
Na het installeren, controleer of het bad geheel schoon is. Vul het bad met water met een temperatuur van 40 +/- 5 ° C tot een waterniveau net boven de hoogste jet. Schakel het systeem aan en laat het voor 10 minuten draaien. Test de stappen van de aero functie minstens een keer tijdens de test. Zonder leeg laten lopen schakelt het systeem uit na 30 minuten nadat de laatste toets is aangeraakt. Check daarna alle leidingen en connecties op lekkage. Nadat alle nodige aanpassingen om de integriteit of vervanging van defecte elementen te waarborgen word de procedure herhaald.

De installateur en de eerste whirlpool eigenaar moeten instructies verzorgen voor het gebruik en onderhoud naar andere eigenaren en gebruikers.

1.1 Veiligheidsvoorschriften voor badkamers.

De installatie van stopcontacten, lampen, schakelaars en/of andere elektrische inrichtingen moeten plaatsvinden buiten de gevarenszones die door de nationale voorschriften en normen voor badkamers voorzien zijn. De voorschriften verbieden vooral elke elektrische installatie op een afstand die kleiner dan 60 cm is en een hoogte die minder is dan 225 cm van het gebied dat het bad omringt (zie figuur 1). De schakelaar en andere elektrische inrichtingen dienen in een gebied te worden geplaatst dat niet door degene die de whirlpool aan het gebruiken is kan worden bereikt.

Fig. 1 Veiligheidsafstanden.



DE FABRIKANT WIJST ELKE VORM VAN AANSPRAKELIJKHEID AF WANNEER:

- de nationale wettelijke voorschriften en normen die van kracht zijn voor aard-, potentiaal en elektrische installaties van de badkamer niet worden gerespecteerd.
- de voorschriften van de nationale wetten en normen die van kracht zijn voor de veiligheid van badkamers niet worden gerespecteerd.
- de instructies die in deze handleiding beschreven worden niet worden gerespecteerd.

De baden worden soms deels gedemonteerd, nadat ze in de fabriek aan controle zijn onderworpen, om het transport en het naar binnen brengen in de ruimte van bestemming te vergemakkelijken. Men raadt aan de onderdelen van het bad zorgvuldig te controleren alvorens haar te installeren. **Schade die geclaimd word na de installatie valt niet onder garantie.**

1.2 Whirlpool installatie

Alle Riho whirlpool baden zijn gemaakt van acryl (zie beschrijving: acryl baden) en uitgevoerd met een whirlpoolsysteem naar keuze uitgezocht door de klant.

Raadpleeg de Riho prijslijsten voor alle mogelijkheden.

1.3 Levering

Standaard worden alle whirlpool systemen compleet gemonteerd, functioneel getest en verpakt.

LET OP:

Verwijder voor de installatie de kartonnen verpakking en de folie om het bad zowel op eventuele schade te controleren als op materiaal en productie defecten. Bescherm het bad voldoende tijdens de installatie (b.v. met karton, deken, bubbelpastic, ...). Na installatie kan Riho alleen garantie geven op verborgen materiaal gebreken.

WAARSCHUWING:

Zorg dat chroom delen niet in contact komen met bouwmaterialen of water dat is gebruikt om bouwmaterialen te verwijderen, zoals mortel, voegmiddel of tegelijm vanwege mogelijke chemische componenten in de samenstelling die het chroom kunnen aantasten.

1.4 Voorbereidende werkzaamheden.

De installateur moet zorg dragen voor o.a. de volgende bouwkundige voorzieningen:

- Ventilatierooster voor de motor(en) van effectief minimaal 100 cm² voor elk Hydro of Aero systeem en 200cm² voor gecombineerde systemen Hydro / Aero.
- Het wordt aanbevolen om een 2e ventilatierooster te installeren voor natuurlijke ventilatie (plaats deze zover mogelijk van elkaar). Beide roosters samen hebben dan minstens een oppervlak van 200cm².
- Inspectie luik(en) voor service toegang (zo dicht mogelijk bij de motoren) met een minimale afmeting van 40 x 50cm - zie figuur 5. Riho adviseert een inspectieluik te plaatsen bij de overloop.
- Warm en koud watertoevoer.
- Waterafvoer
- Elektrische aansluiting, één groep van 3x2,5 mm²; 230V / 50Hz.
- Elektrische aansluiting, twee groepen van 3x2,5 mm²; 230 / 50Hz (of een groep van 5x2,5 mm²) voor een systeem met twee hydromotoren.
- Potentiaal vereffening 6 mm² aardaansluiting op whirlpoolframe.
- Vaste verbinding met vermogenschakelaar met ontkoppelingsopties (bijv. Schakelaar met statusindicatie).

Let op het volgende voor het installeren van het bad:

- Controleer vóór het inbouwen het bad en systeem op eventuele gebreken. Voor gebreken welke na inbouw worden vastgesteld worden geen uitbouwkosten vergoed. Na inbouwen kunnen wij alleen garantie geven op verborgen gebreken.
- Gebruik geen buizen, slangen of jets om het bad aan vast te houden tijdens installatie of met het verplaatsen.
- Vóór het inbouwen van de whirlpool controleren op lekkage.
- De whirlpool moet los van de muur staan, zodat onvermijdelijke trillingen, die door de motor worden veroorzaakt, niet overgebracht worden. Het gebruik van badisolatietape tussen badrand en muren is aan te bevelen, dit zal het geluidsniveau verminderen.
- Bij montage van acryl panelen, moet u letten op de hoogte van het paneel t.o.v. de onderrand van het bad. Het paneel moet minimaal 5mm van de vloer af staan t.b.v. ventilatie.

LET OP:

Zijpanelen moeten zodanig worden geïnstalleerd dat de ruimte onder de badkuip voldoet aan het ZONE 3-criterium, zie hoofdstuk 1.1, dat wil zeggen dat de ruimte onder het bad niet toegankelijk is zonder het gereedschap te gebruiken!

1.5 Bad installatie

- Bescherm het bad tijdens installatie tegen beschadiging (b.v. met karton, deken, folie, ...)
- Bij het bad zit een metalen frame met 4 of meer verstelbare poten. Zorg er met de poten voor dat het bad waterpas staat en op de juiste hoogte is afgesteld en vergeet niet de contramoeren vast te zetten. Controleer of alle poten goed op de vloer steunen.

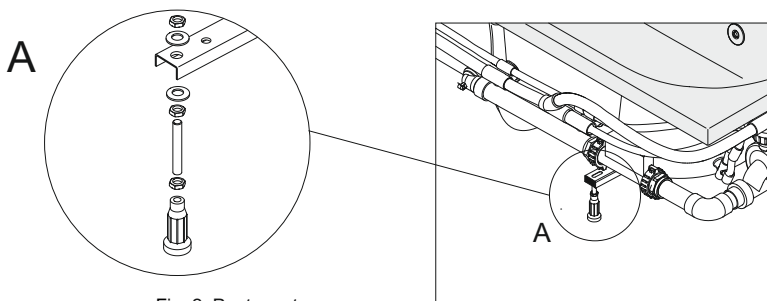


Fig. 2 Poot montage

- Monteer de afvoeroverloop combinatie in het bad indien nodig. Controleer of alle onderdelen goed zijn gemonteerd volgens de bijgesloten montage voorschriften van de fabrikant.
- Het bad kan met behulp van een houten tengel aan de muur worden bevestigd (zie fig.3 muurbevestiging) of met behulp van de meegeleverde clips (alternatief) die gemonteerd moeten worden, getoond op de volgende pagina. Deze montage methode is geldend voor monteren van het bad tegen de tegel. We raden af om de tegels op de badrand te tegelen omdat dit het moeilijk maakt toegang tot de mechanische en elektronische componenten te krijgen.
- Stel het bad goed waterpas.
- Verbindt het bad met de waterafvoer.

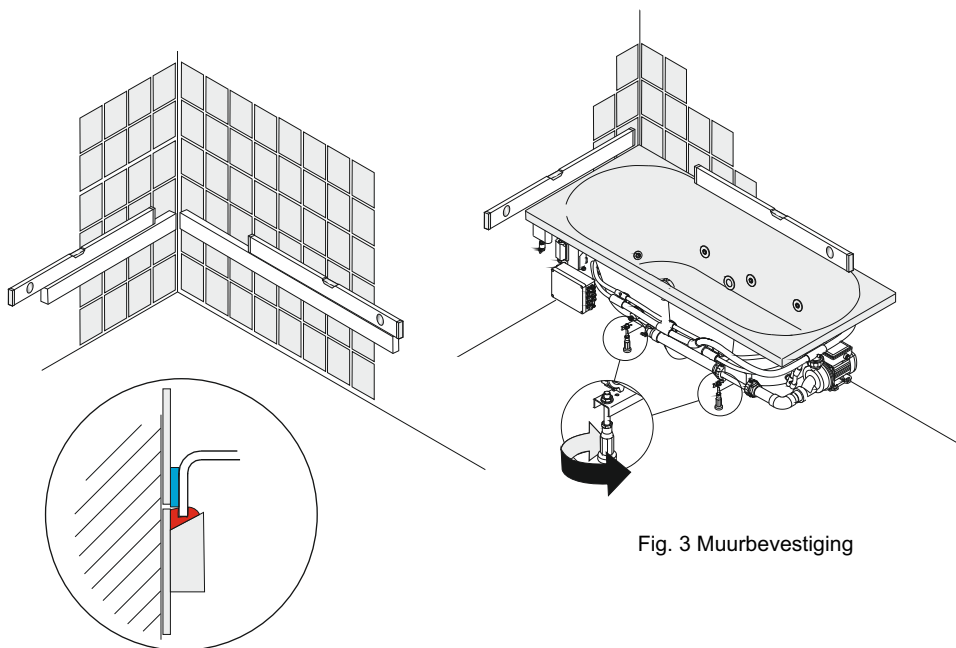
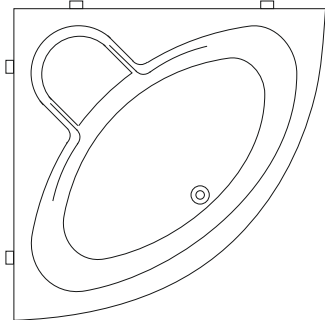
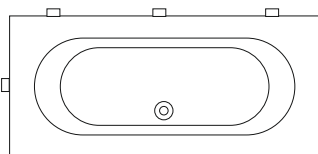
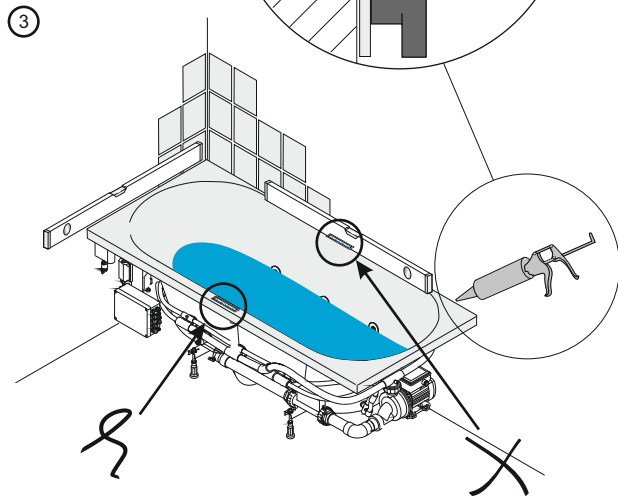
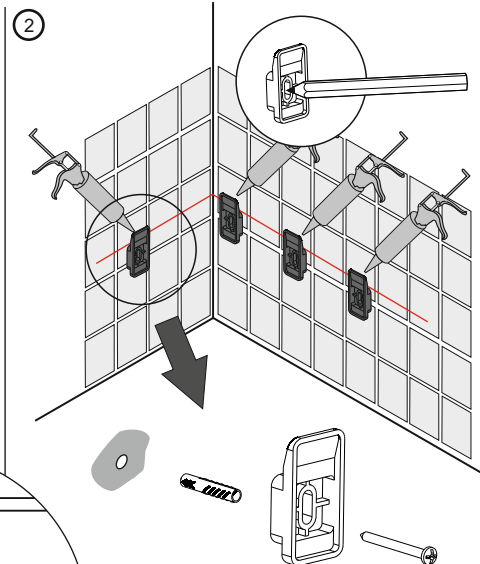
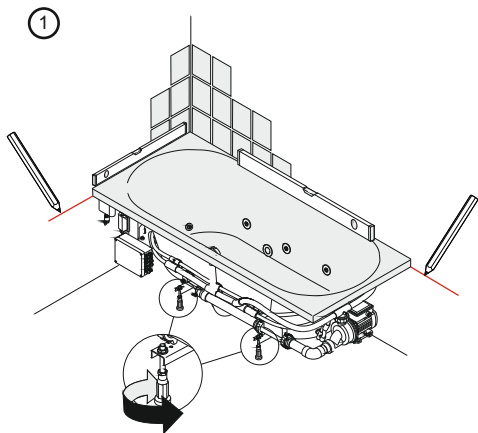
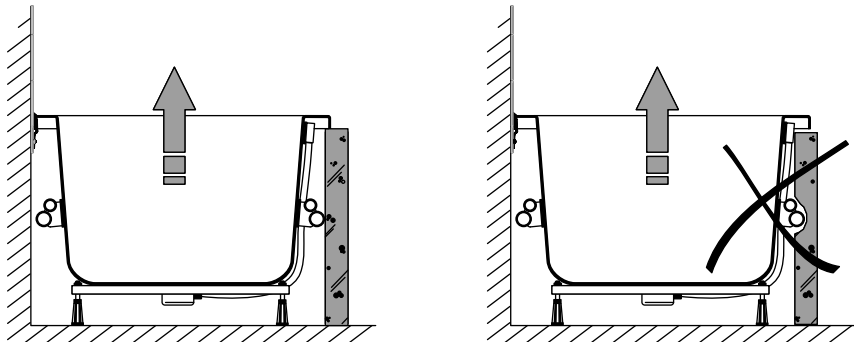


Fig. 3 Muurbevestiging



4



- Vul het bad voor de helft met water, en controleer of het bad nog steeds waterpas staat. Dit is noodzakelijk. Gebruik de stelpoten voor correctie. Controleer of de afvoerleiding waterdicht is aangesloten, daarna kunt u het bad bijvullen tot aan de overloop. Laat deze even overlopen en controleer de overloop op afdichting en op afwatering.
- De open zijden van het bad kan op verschillende manieren worden afgewerkt zoals bijvoorbeeld met acryl panelen, of met een muurtje van tegels. Dit kan onder de gehele rand gebeuren, maar ook plaatselijk.
- **Voor het afdichten van badvoegen dient uitsluitend zuurvrije siliconenkit van sanitairkwaliteit te worden gebruikt.**
- Het bad is op verschillende manieren te plaatsen, namelijk:
 - Het bad wordt tegen de tegels van de muur geplaatst. De rand rondom kitten om eventuele beweging in het bad op te vangen.
 - Bij de installatie van het bad in een nis (tussen twee muren ingeklemd) en/of afwerking met een horizontale tegelrij, dient de voeg (4-5 mm) tussen de badrand en tegel rij en/of muur, eveneens met siliconenkit te worden afgedicht. Deze 4-5mm ruimte is nodig om het moment uitgeoefend op de badrand op te vangen.
 - Wanneer het bad wordt afgewerkt met een muurtje aan de onderzijde i.p.v. een kunststof paneel dan moet er een voeg zitten tussen bovenkant muur of tegelrij en onderkant badrand van 4 a 5 mm. Deze voeg moet ook worden gekit.

De siliconenkit geeft een goede waterdichte afwerkingsvoeg en geeft het bad de mogelijkheid iets te kunnen uitzetten. Het is dan ook noodzakelijk het bad gevuld te hebben met water tot aan de overloop rand en dat het bad goed op zijn poten steunt voordat u begint met voegen.

1.5.1 Ventilatie roosters

Om de motor(en) optimaal te laten functioneren is het noodzakelijk twee ventilatieroosters aan te brengen in de omranding of in de muur onder het bad. Deze roosters moeten spatwaterdicht zijn en op een dusdanige locatie worden aangebracht dat er geen spatwater onder het bad terecht kan komen. Minimaal effectief doorstromingsoppervlak van een rooster moet 100cm² zijn, en niet uitkomen in ruimten waar de temperatuur lager is dan +15°C en hoger dan +35°C. Zie figuur 4.

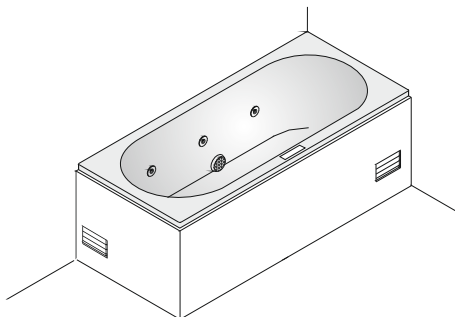
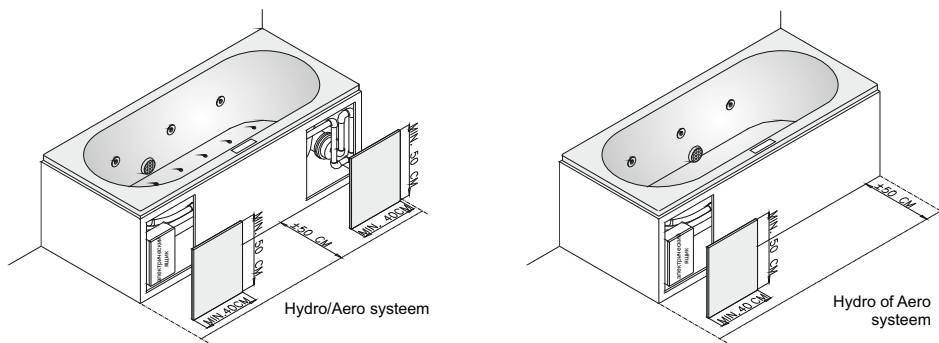


Figure 4 Ventilatie roosters

1.5.2 Inspectie luik(en).

Om onderhoud mogelijk te maken moet er in de badombouw of in de muur een spatwaterdicht inspectieluik worden aangebracht met een minimale afmeting van 40x50cm. Om service te kunnen verlenen is het noodzakelijk voor iedere motor een eigen luik aan te brengen. (Zie figuur 5.) Via uw dealer zijn Riho magneetegel-inspectieluiksetjes te bestellen. Zie de RIHO Technische Catalogus voor de exacte positie van de gaten. De Riho servicedienst kan geen service verlenen, indien er geen of te kleine inspectieluiken aanwezig zijn. Voor een optimale bereikbaarheid bij het systeem adviseert Riho acryl voorpanelen toe te passen (indien beschikbaar bij het type bad).



Figuur 5 Inspectie luik(en)

1.5.3 Panelen.

Als er panelen worden gebruikt, sluit deze dan niet af. Deze moeten verwijderbaar zijn. De panelen moeten op zo'n manier worden geïnstalleerd dat de ruimte is onder het bad die voldoet aan de ZONE 3 criteria, zie hoofdstuk 1.1, zodat de ruimte onder het bad niet toegankelijk is zonder het gebruik van het hulpstuk.

1.5.4 Warm- en koudwatertoevoer.

De toevoeringen kunnen op de badrand of op de muur aangebracht worden voor aansluiting van de badkraan. Ook is een afvoer-overloop installatie met watertoevoer verkrijgbaar. Vraag uw dealer naar Riho afvoer-overloop combinaties met watertoevoer in het bad. **Maximaal toelaatbare water temperatuur is 60°C.**

Bij montage van een afvoer-overloop installatie met water toevoer in het bad, moet altijd een beluchter-watertoevoer in de toevoerleiding worden geplaatst. Dit om vuil water niet terug te laten stromen in de toevoerleiding.

1.5.5 Water afvoer

Verbind de afvoerpipeline met sifon met de afvoerpipeline in de badkamer (min. 40 mm). De afvoerpipeline voor de badkamer moet op ongeveer 25-35 cm van de middellijn van de afvoer van het bad worden geplaatst en moet voldoende kunnen afvoeren, zodat adequate afvoer is gewaarborgd (zie fig. 6).

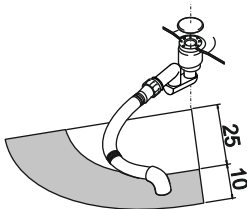


Fig. 6: Afvoer installatie



1.5.6 Elektrische aansluiting

De elektrische voeding voor de installatie moet worden voorzien van een geschikte kabel en de verbinding moet in een waterdichte doos worden gemaakt. De whirlpool wordt geleverd met een kabel van 3x1.5mm² of 5x2.5mm² (5x2.5mm² in geval van whirlpool met verwarming of met twee hydromotoren).

Het bubbelbad moet worden aangesloten op een kabel van 3x1.5mm² 230V / 50Hz (indien geleverd met een kabel van 3x1.5mm²). In het geval van een whirlpool wordt geleverd met een 5x2.5mm² kabel, is het noodzakelijk om 2 fasen te gebruiken. De verbinding moet gemaakt worden met een kabel van 5x2.5mm² 400V / 50Hz (2 fasen, 2 neutraal, 1 aarde) of twee kabels van 3x2.5mm² 230V / 50Hz. Elke kabel moet worden beschermd door de juiste stroomonderbreker met karakteristieke C. Kabel 3x1.5mm² stroomonderbreker 10A. Kabel 5x2.5mm² (of 2x 3x2.5mm² kabel) met 16A stroomonderbreker en aardlekschakelaar tot 30mA. Het is noodzakelijk om te zorgen voor ontkoppeling van alle polen in de vaste toevoerleiding. Het scheidingselement moet contactafstanden hebben om ervoor te zorgen dat alle polen volledig worden losgekoppeld bij Categorie III overspanning (bijv. Schakelaar met statusindicatie). Houd u aan de lokale wetten en voorschriften met betrekking tot elektrische aansluitingen. Raadpleeg in geval van twijfel een sanitairspecialist of neem contact op met een van de RIHO-assemblage of servicecentra.

1.5.7 Potentiaal vereffening

De installatie moet worden aangevuld met een afzonderlijke extra verbindingsdraad, die moet worden geleid uit de hoofdpotentiaalverbinding van het gebouw of van het schakelbord waaruit de aansluiting voor de whirlpool is genomen. Deze draad moet een massieve kern hebben met een minimale doorsnede van 4-6 mm² en de isolatie moet in een groen-gele combinatie zijn.

2.0 Riho acryl (PMMA) baden (Whirlpools)

Alle Riho baden zijn vervaardigd uit acrylaat (Polymethylmethacrylaat) en in de bodem verstevigd door een spaanderplaat en in zijn geheel verstevigd met glasvezelpolyester.

Acrylaat is een kunststof welke door en door gekleurd is. De eigenschappen van acrylaat geven de gebruiker een maximum aan badcomfort, mits deze de juiste installatie- en onderhoudsvorschriften in acht neemt.

3.0 Onderhoud

- Door het poriënvrije, gladde oppervlak van het materiaal, zal vuil zich niet of nauwelijks vastzetten. Het onderhoud kan beperkt worden door het, na gebruik van het bad, te reinigen met een natte spons of doek en een mild schoonmaakmiddel.
- Reparaties van kleine beschadigingen kunnen eventueel door uzelf worden uitgevoerd. Gaat u dit zelf doen dan is voorzichtigheid geboden. Dit kunt u als volgt doen:

Als het hele fijne krasjes zijn kan een "chrom- en lakpolijstmiddel" (oplosmiddel- en korrelvrij) voldoen. Mocht dit onvoldoende resultaat opleveren dan kunt u de beschadiging opschuren met waterproof schuurpapier nr. 600 en daarna met waterproof schuurpapier nr.1000. Nabewerken met een "chrom- en lak polijstmiddel" voor een perfect eind resultaat en uw bad is weer als nieuw. Een complete set is verkrijgbaar bij uw dealer.

WAARSCHUWING:

Het repareren van uw bad is op eigen risico!

Grote beschadigingen, diepe krassen, gaatjes en zelfs scheuren kunnen vrijwel onzichtbaar gerepareerd worden. U kunt dit laten repareren door gespecialiseerde vakmensen.

4.0 Bediening

4.1 Elektronische bediening.

Voor het in gebruik nemen van de whirlpoolinstallatie moet u het bad vullen tot 5 cm boven de hoogste spuitmond (hydro-systeem) en tot ongeveer 15 cm onder de rand (aero-systeem).




Tijdens het gebruik van de whirlpool is het verboden elektrische apparaten aan te raken, te hanteren of te gebruiken. Gebruik daarvan kan ernstig gevaar voor de gebruiker veroorzaken.

4.1.1 Stand.

Standby:

Wanneer het systeem in standby mode staat zullen de icoontjes op het bedieningspaneel niet zichtbaar zijn.



Inschakelen:

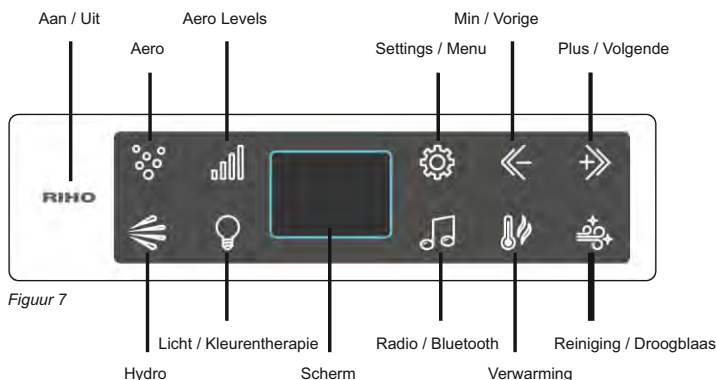
Raak de " **RIHO** " toets op het bedieningspaneel aan. Het display toont nu de huidige temperatuur. Als er binnen 30 seconden na het inschakelen van het systeem geen handeling wordt uitgevoerd of als de "  " toets gedurende 2 seconden wordt aangeraakt en wordt vastgehouden, zijn alle knoppen vergrendeld behalve de "  " toets. Raak de "  " toets aan om het systeem te ontgrendelen.

Uitschakelen:

Wanneer het systeem is ingeschakeld, drukt u kort op de " **RIHO** " toets om het systeem uit te schakelen. Als er geen handeling plaatsvindt nadat het systeem is ingeschakeld, wordt het systeem na 30 minuten automatisch uitgeschakeld. De 30 minuten beginnen te lopen vanaf het moment dat de laatste knop werd aangeraakt.


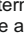

Veiligheidsslot:

Wanneer u de "  " toets twee seconden lang aanraakt, is de vergrendelingsfunctie ingeschakeld. Alle knoppen zijn gedeactiveerd totdat het systeem is ontgrendeld. Dit kan gedaan worden door de "  " toets kort aan te raken.



Figuur 7


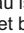
4.1.2 Aero functie.

Raak de "  " toets op het bedieningspaneel aan om de aero-functie in of uit te schakelen. Wanneer het bad is gevuld (waterniveau is voldoende), zal de aero-pomp in werking treden en de "  " toets zal oplichten (niet gedimd). De aeropomp start op de maximale snelheid (niveau 5). Wanneer het bad gevuld is (waterniveau is voldoende) en u de "  " toets aanraakt, zal de snelheid op dat moment één niveau hoger worden. Na niveau 5 keert het terug naar niveau 1 en vervolgens naar 2, 3, 4 en dan terug naar 5. Wanneer het bad leeg is (waterniveau is onvoldoende), zal de aero-functie niet werken. Wanneer deze knop gedurende 5 seconden niet wordt aangeraakt, verlaat het systeem het aero-level settingsmenu. Het LCD-scherm toont "Lx" (x is het snelheidsniveau):



Figuur 8

4.1.3 Hydro functie.

Raak de "  " toets op het bedieningspaneel aan om de hydrofunctie in of uit te schakelen. Als het bad vol is (waterniveau is voldoende), zal de hydropomp in werking treden en de "  " toets zal oplichten (niet gedimd). Wanneer het bad leeg is (waterniveau is niet voldoende), werkt de hydro-functie niet en blijft de achtergrondverlichting gedimd. Dit gebeurt ook als de hydro-functie is ingeschakeld en het waterniveau onder het minimumniveau zakt. De hydro-functie stopt dan en de achtergrondverlichting keert terug naar een gedimde status.

4.1.4 Kleurentherapie.

Raak de "  " toets op het bedieningspaneel aan om het kleurenlicht in of uit te schakelen. De kleurenlamp verandert automatisch van kleur zodra het is geactiveerd en de achtergrondverlichting van de toets wordt op dit moment herhaaldelijk in- of uitgeschakeld. Wanneer u de gewenste kleur hebt bereikt, kunt u deze vergrendelen door de "  " toets gedurende 2 seconden aan te raken. De achtergrondverlichting van de knop is in deze modus ingeschakeld. Om de kleurenlus te hervatten, raakt u de "  " toets opnieuw gedurende 2 seconden aan. De

achtergrondverlichting van de knop zal opnieuw herhaaldelijk in- en uitfaden.

4.1.5 Radio / Bluetooth-functie.

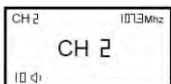
Raak de "🎵" toets op het bedieningspaneel aan om de radio in te schakelen. Het display toont nu het huidige radiokanaal, de frequentie en het volume. Raak deze knop nogmaals aan om de radio uit te schakelen en door te gaan naar de Bluetooth-muziekfunctie. Raak de knop nogmaals aan om de muziekfunctie uit te schakelen.



Figuur 9

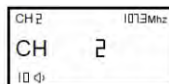


Figuur 10



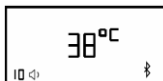
Figuur 11

Figuur 12



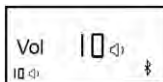
Raak de "⚙️" toets aan wanneer de radio aan staat en u ziet dan het volume op het display zoals getoond in fig.9. Op dit moment kunt u het volume wijzigen door de "◀" of "▶" toets aan te raken. Het volumebereik is van niveau 0 tot niveau 15. Als de radio aan staat en u de "⚙️" toets meerdere keren aanraakt, ziet u het display zoals in fig.10. Op dit moment kunt u de frequentie 0.1 Mhz wijzigen door de "◀" of "▶" toets aan te raken. Het bereik is van 87,5-108 Mhz. Blijf een van deze knoppen gedurende 2 seconden aanraken om naar kanalen te zoeken, omdat deze stopt wanneer een kanaal wordt gevonden en afgespeeld. Wanneer u het kanaal krijgt dat u nodig hebt, wacht dan even en het systeem behoudt dan de instelling. Blijf de "🎵" toets gedurende 2 seconden aanraken om het huidige kanaal op te slaan. Nadat u het kanaal met succes hebt opgeslagen, ziet u het nummer op het display zoals getoond in fig.11. Het systeem kan in totaal 10 kanalen opslaan. Om naar het keuzemenu te gaan zult u wanneer de radio is ingeschakeld de "⚙️" toets drie keer moeten aanraken totdat u het pictogram zoals in figuur 12 wordt weergegeven ziet. Raak de "◀" of "▶" toets aan om het gewenste radiokanaal te kiezen.

Wanneer het systeem is ingeschakeld, gebruikt u de Bluetooth-functie op uw Bluetooth-apparaat om het signaal van het bad met de naam "SANJUN MUSIC" te doorzoeken. U kunt de naam naar wens aanpassen met uw Bluetooth-apparaat. Koppel het apparaat, als de verbinding om een of andere reden mislukt, knippert het Bluetooth-pictogram "🎵". Als dit gebeurt, probeert u het opnieuw te verbinden. Raak de "🔗" toets twee keer aan om naar bluetooth-muziek te gaan. Vervolgens ziet u het pictogram "🔗" op het display zoals in fig.13.



Figuur 13

Nu kunt u het nummer vanaf uw Bluetooth-apparaat afspelen. Raak de "🎵" toets aan om de Bluetooth-functie uit te schakelen. Wanneer de bluetooth-muziek een nummer afspeelt, gebruik dan de "⚙️" toets om naar het menu voor het aanpassen van het volume te gaan zoals getoond in fig.14. Raak de "◀" of "▶" toets aan om het volume aan te passen. Het volumebereik is van niveau 0 tot niveau 15.



Figuur 14



Figuur 15

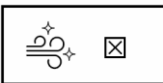
Wanneer de Bluetooth-modus is ingeschakeld, gebruikt u de "⚙️" toets om naar het scherm te gaan zoals weergegeven in fig.15. Tik nu op de "◀" of "▶" toets om de gewenste song te kiezen. Bluetooth-muziek wordt automatisch uitgeschakeld 10 seconden nadat het systeem is uitgeschakeld.

4.1.6 Reinigings functie.

Wanneer het systeem is ingeschakeld en het waterniveau voldoende is, raakt u de "🌊" toets aan gevolgd door de "⚙️" toets om naar het reinigings menu te gaan zoals wordt getoond in fig.16. Om te initiëren, raakt u de "▶" toets aan en dan verandert het pictogram "☒" in een "☑" pictogram. Om de reinigingscyclus af te breken, raakt u op de "🌊" toets aan.

1. 8 seconden na activering van de reinigingsfunctie starten de hydropomp en de aeropomp.
2. Na 7 seconden opent de cleanklep gedurende 3 seconden en schakelt automatisch uit.
3. Hierna werken de hydropomp en de aeropomp gedurende 80 seconden, gevolgd door een pauze van 20 seconden. Hierna 20 seconden gaan de hydropomp en de aeropomp weer 90 seconden werken. Na deze 90 seconden is de reinigingscyclus voltooid en wordt deze automatisch uitgeschakeld.

Wanneer u de reinigingsfunctie probeert in te schakelen wanneer er niet voldoende reinigingsvloeistof in de tank zit, ziet u dat het "⚠️" pictogram verschijnen op het scherm in een knipperende modus. Na 3 seconden verdwijnt het pictogram.



Figuur 16

4.1.7 Verwarming

De verwarmings functie werkt samen met de hydro functie. Raak de "  " toets aan om de verwarmings functie in te schakelen. De verwarming moet gelijktijdig met de hydromotor werken, daarom zal de hydrotoets samen met de verwarmings toets oplichten. Om de verwarmings functie uit te schakelen, kunt u zowel de "  " toets als de "  " toets aanraken. De hydropomp kan alleen worden gestopt als u de "  " toets aanraakt. De verwarming gaat alleen aan wanneer de watertemperatuur minstens 1 graad lager is dan de ingestelde temperatuur. Wanneer het water de ingestelde temperatuur bereikt, zal de verwarming stoppen met verwarmen totdat de temperatuur weer daalt. Wanneer de verwarming aanstaat, kunt u de "  " toets aanraken om het uit te schakelen en zo ook de achtergrondverlichting van de knop. Als de verwarmings functie is ingeschakeld en het waterniveau onder het minimum waterniveau zakt, wordt deze ook uitgeschakeld. Om de temperatuur in te stellen, kunt u de "  " toets gebruiken wanneer de verwarming aan staat. U ziet dan dat de temperatuur op het scherm verschijnt en u kunt vervolgens de temperatuur verhogen met de "  " toets en deze verlagen met de "  " toets.

LET OP: De verwarming dient om het badwater op temperatuur te houden en niet om het water van koud naar warm op te warmen.

4.1.8 Droogblaas functie.

Wanneer het systeem is ingeschakeld en er geen water in het bad zit, kunt u de "  " toets aanraken om de droogblaas functie te starten. De droogblaas functie gaat van niveau 1 tot niveau 5 gedurende een periode van 15 seconden per stap, zodra niveau 5 is voltooid, stopt de droogblaas functie. Deze hele droogcyclus duurt 75 seconden. Tijdens deze droogblaas functie knippert de "  " toets. Na het legen van het bad start de automatische droogblaas functie automatisch na 15 minuten. De "  " toets staat aan en start het droogblaas programma. Wanneer het automatische droogblaas programma is voltooid, wordt de "  " toets automatisch uitgeschakeld.

5.0 Whirlpool Jets

5.1 Aero jet

Zoals het woord Aero jet al zegt is dit een jet waar alleen lucht uit komt. De lucht dwarrelt uit de jet naar boven, wat een relaxerend effect heeft. De lucht uit de aero jet opening komt met een bepaalde snelheid het bad in. De lucht kan hierdoor als koud ervaren worden. Het jethuis zelf wordt enigszins warm.

5.1.1 Sparkle aero jet

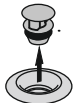


De Sparkle aero jet heeft een chromen afwerking. Deze jet geeft een fijnere bubbel dan een regulier aero systeem.

5.1.2 Flat aero jet



De Flat aero jet heeft een chromen afwerking. Om de jet te reinigen kan men het binnenste deel er uithalen met behulp van een kleine fitting schroevendraaier.



WAARSCHUWING: Doe dit uiterst voorzichtig zodat het chroom niet wordt beschadigd. Vervolgens kan na het schoonmaken het binnenste deel worden teruggedrukt. Het binnenste deel wordt geklemd met behulp van een O-ring.

5.2 Hydro jets

Hydro jets hebben een gemengde straal van water en lucht. Dit zorgt voor een krachtige straal met een masserend effect. Hieronder wordt de werking van alle hydro jets beschreven.

LET OP: Omdat sommige jets volledig dicht gedraaid kunnen worden is het mogelijk om alle jets dicht te draaien terwijl de hydro pomp aan staat. Doe dit NOOIT en laat daarom altijd minstens 1 afsluitbare jet helemaal open. Dit omdat anders de hydro pomp zijn druk niet kwijt kan en oververhit raakt.



De Hydro Super jet heeft een geheel chromen afwerking. De uitstroom van de jet kan harder of zachter worden afgesteld. Het afstellen is mogelijk door het binnenste deel van de jet met de hand te draaien. Als het binnenste deel met de klok mee wordt gedraaid neemt de kracht af.

6.0 Beveiliging

Indien er niet voldoende water in het bad staat, zal het systeem ter beveiliging tegen drooglopen, niet aanschakelen. Ook is de motor voorzien van een thermische beveiliging. De motor zal bij problemen eventueel uitschakelen.

6.1 Desinfectie en Reiniging

Gebruik van (Riho) reinigingsproducten; Clean vloeistof, Clean/desinfectie tabletten en Soda

Whirlpool Clean Producten zijn voor het reinigen/desinfecteren van het Hydro Systeem. Een Aero Systeem blaast alleen lucht en kan/hoeft daarom niet gereinigd te worden met een speciaal product.

Drie producten;

1. Riho Clean Vloeistof
2. Riho Clean/desinfectie Tabletten (niet verkrijgbaar in België)
3. Soda

De RIHO reinigingsproducten zijn mild van samenstelling en uitstekend te gebruiken in onze RIHO whirlpools. Bij normaal gebruik van de whirlpool is het aan te raden de whirlpool om de 4 à 5 badbeurten te reinigen, afgewisseld met reinigingsvloeistof en de tabletten. Maakt u weinig gebruik van de whirlpool, dan is het aan te raden om het bad voor gebruik te reinigen, zodat het systeem goed schoon is.

1. Clean Tabletten / Reinigingstabletten.

Dit is voor het desinfecteren van het Hydro Systeem. U vult het bad tot net iets boven de bovenste jets. De eerste maal dat u de Clean Tabletten gebruikt, voegt u er vijf toe aan het water (voor vervolgebearnten volstaan twee/drie tabletten per keer). Zet het Hydro Systeem handmatig aan, uit en weer aan (1½ tot 2 minuten per keer, dit 4 tot 5 maal herhalen om een goede doorspoeling van alle leidingen te verkrijgen). Vervolgens laat u het water uit de whirlpool lopen.

2. Grote reinigingsbeurt met Soda.

Wanneer u last heeft van zwarte vlokjes die in het badwater terecht komen, adviseren wij een reinigingsbeurt met soda. Vul het bad tot net iets boven de bovenste jet. Voeg een oplossing van een zakje soda met warm water toe aan het water in het bad. Zorg dat het goed opgelost is zodat het geen krasjes kan veroorzaken. Zet het Hydro Systeem handmatig aan, uit en weer aan (1½ tot 2 minuten per keer, dit 4 tot 5 maal herhalen om een goede doorspoeling van alle leidingen te verkrijgen). Dit badwater kan 3 à 4 uur inweken zodat ook het hardnekkige vuil los komt.

Daarna herhaalt u het proces en kunt u het vuile water uit de whirlpool laten lopen.

Bij hardnekkige aanslag, kan de procedure twee of meerdere malen herhaald worden. De zwarte vlokjes zouden dan bij elke beurt minder moeten worden en uiteindelijk verdwijnen.

Riho Clean Vloeistof / Reinigingsvloeistof

Dit is voor het reinigen van het Hydro Systeem. U vult het bad tot net iets boven de bovenste jets.

Vul de Clean tank met de reinigings-vloeistof. Eén fles gaat 6 tot 8 spoelbeurten mee. Na afloop van het reinigen laat u het water uit de whirlpool lopen.

WAARSCHUWING:

De volgende punten zijn van belang bij het gebruik van Riho Clean desinfectietabletten en Riho Clean Plus vloeistof:

- **Buiten bereik van kinderen houden.**
- **Vermijd contact met gezicht en ogen.**
- **Niet voor inwendig gebruik.**
- **In geval van contact, met water spoelen.**
- **Niet inhaleren.**
- **Niet in het bad gaan zitten, terwijl middelen zijn toegevoegd.**

Clean producten van andere merken zijn niet getest op onze producten, de werking ervan is ons daarom niet bekend.

6.2 Gebruikerstips

- Bij gezondheidsproblemen: Raadpleeg uw arts alvorens gebruik te maken van het whirlpool systeem.
- Maximaal aanbevolen whirlpool gebruiksduur 10 minuten.
- Het whirlpoolsysteem niet gebruiken direct na een maaltijd.
- Badschuim, shampoos of zeep uitsluitend gebruiken na gebruik van het whirlpoolsysteem. Het gebruik hiervan, voor of tijdens het in bedrijf zijn van de whirlpoolinstallatie, zal grote schuimvorming tot gevolg hebben.

7.0 Buitengewoon onderhoud

Let op: Schakel altijd de stroomtoevoer uit alvorens werkzaamheden uit te voeren.

De whirlpool-servicedienst kan geen service verlenen, indien er geen of te kleine inspectieluiken aanwezig zijn.

Wend u voor buitengewoon onderhoud tot bevoegde servicediensten. Bij eventueel verkeerde behandeling door niet bevoegd personeel vervalt de garantie en de aansprakelijkheid van de fabrikant voor de veiligheid van het product onmiddellijk. In geval van kapotte onderdelen dient men enkel originele en goedgekeurde reserveonderdelen te gebruiken, anders vervalt de garantie en de aansprakelijkheid van de fabrikant voor de veiligheid van het product.

Het vinden en oplossen van problemen (kijk ook op riho-support.com).

Probleem 1.

De whirlpool doet het niet nadat het bedieningspaneel is aangeraakt.

Oorzaak 1:

U heeft geen spanning op de whirlpool staan.

Oplossing 1:

Is de whirlpool goed aangesloten?

Controleer de zekeringen.

Staat de stroom aan?

Oorzaak 2:

Het waterniveau is niet hoog genoeg.

De elektronisch bestuurd whirlpools zijn uitgerust met een niveauschakelaar en laat het systeem pas werken als het waterniveau hoog genoeg is.

Is er voldoende water aanwezig controleer dan of de waterniveau schakelaar tijdens transport of inbouw werkzaamheden niet is losgeraakt

Oplossing 2:

Water bijvullen als er niet voldoende water aanwezig is.

Is de niveau schakelaar los neem dan contact op met de Riho servicedienst.

Probleem 2.

De mini rug jets werken niet als de hydromotor wordt aangezet.

Oorzaak 1:

De hydro jet blijkt gesloten.

Oplossing 1:

Spanning eraf halen via de hoofdschakelaar en 1 minuut wachten, daarna weer aan zetten, hierdoor zal de elektronica "gereset" worden. Indien het probleem blijft aanhouden neem dan contact op met uw dealer.

Probleem 3.

Het reinigingssysteem werkt niet.

Oorzaak 1:

Geen schoonmaakvloeistof in het reservoir.

Oplossing 1:

Vul de reinigingsvloeistof bij.

Oorzaak 2:

De reinigingsvloeistof wordt niet opgeslagen in het reservoir omdat de magnetische klep van het reservoir open blijft.

Oplossing 2:

Controleer de magneetklep aan de onderkant van de cleantank en vervang deze indien nodig. Bel uw dealer in het geval dat vervanging nodig is.

Probleem 4.

De whirlpool werkt helemaal niet.

Oorzaak 1:

Door herhaaldelijk opzettelijk of per ongeluk meerdere malen op de bedieningselementen te drukken, kan de elektronica ontregeld raken.

Oplossing 1:

Schakel de netspanning uit met behulp van de hoofdschakelaar, wacht 1 minuut, schakel dan weer in en reset de elektronica. Als het probleem blijft bestaan, neem contact op met uw dealer.

Probleem 5.

Het systeem werkt niet.

Oorzaak 1:

De hydro- of aeromotor heeft een thermische beveiligingsschakelaar. Als deze oververhit raakt, schakelt de motor uit. Een waarschijnlijke oorzaak van dit probleem is een verstopte motor.

Oplossing 1:

Dit kan worden opgelost door het inspectieluik aan de achterkant van de motor te verwijderen en te controleren of de as kan zijn gedraaid met een schroevendraaier. Als de pomp is geblokkeerd, moet deze worden gedemonteerd en gereinigd. Als u een verstopte motor een aantal keer probeert te starten motor dan kan dit schade veroorzaken.

Probleem 6.

Het Bluetooth-apparaat maakt geen verbinding met het systeem.

Oorzaak 1:

Een ander apparaat is nog steeds gekoppeld aan het Bluetooth-kanaal.

Oplossing 1:

Ontkoppel eerst de Bluetooth-verbinding met het gekoppelde apparaat, zodat een ander apparaat aan het systeem kan worden gekoppeld.

Probleem 7.

De verwarming werkt niet.

Oorzaak 1:

De verwarming is gekoppeld aan het primaire hydrosysteem.

Oplossing 1:

Zijn deze systemen ingeschakeld? Zo niet, schakel deze dan in, gevolgd door de verwarming. Als dit niet werkt, bel dan een Riho-servicecentrum.

8.0 Service-aanvraag

Voor serviceaanvragen neemt u contact op met uw dealer.

LET OP:

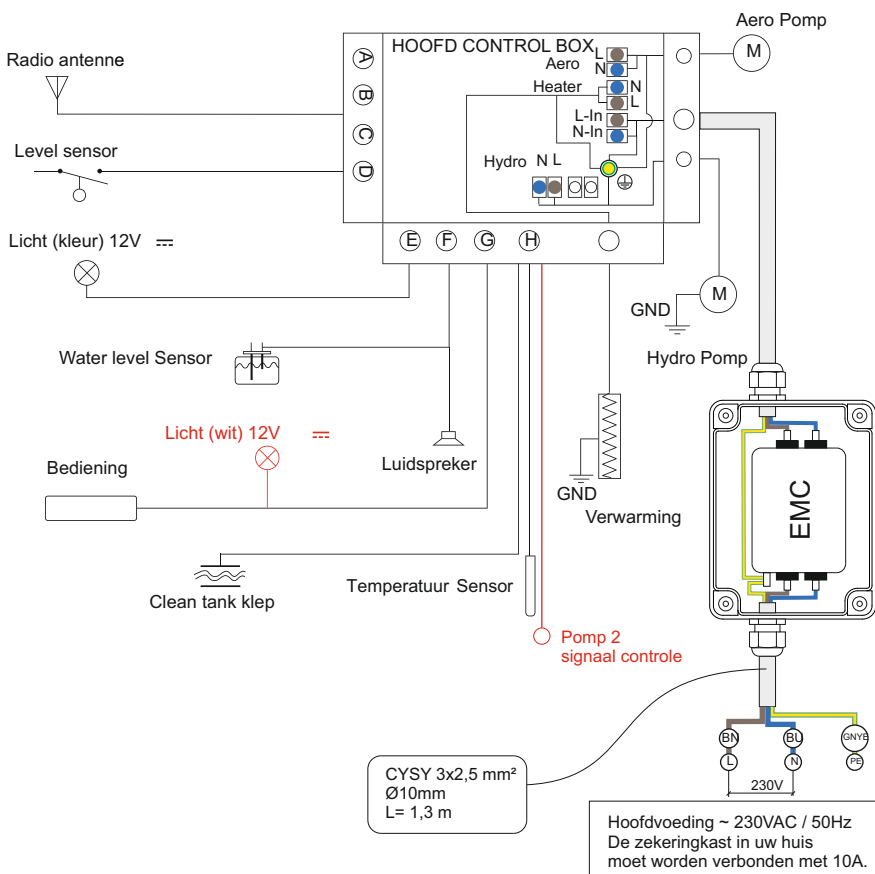
- volgens de installatievoorschriften dient bij een ommuurde inbouwwijze er bij elke motor een inspectieluik met minimale afmeting 40 (b) x 50 (h) cm. aanwezig te zijn.
- De ruimte moet vrij zijn van obstakels om werkzaamheden uit te kunnen voeren.
- In geval van een ingekit paneel dient U voor het bezoek van onze monteur de kit te verwijderen.

9.0 Garantievoorwaarden

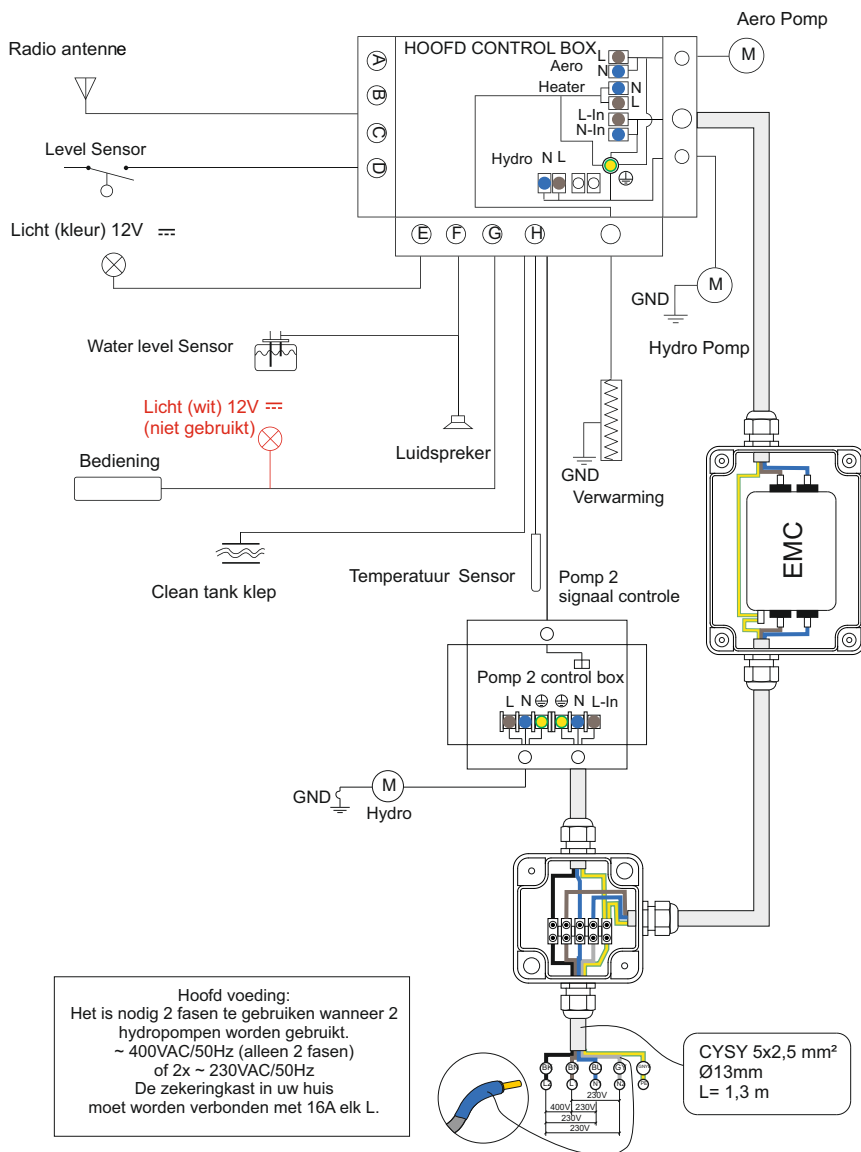
Voor de actuele garantievoorwaarden verwijzen we u naar onze site: www.riho.com

10.0 Technische data

10.1 Aansluitschema (een hydromotor systeem)



10.2 Aansluitschema (twee hydromotoren systeem)



10.3 Foutmeldingen

Het LED lampje van de control box:

- Is uit, dit betekent dat de control box niet (goed) is aangesloten op de stroom.
- Is constant aan, dit betekent dat de control box niet in staat is te communiceren met de bediening.
- Knippert, dit betekent dat de control box normaal functioneert.



Montage- & Bedienungsanleitung



Montage- und Bedienungsanleitung für RIHO-Badewannen mit Whirlpoolsystem

Inhaltsverzeichnis		Seite
1.0	Montage von RIHO-Badewannen mit Whirlpoolsystem	.2
1.1	Sicherheitshinweise für Badezimmer	.2
1.2	Installation des Whirlpools	.3
1.3	Lieferung	.3
1.4	Vorbereitung für die Installation	.3
1.5	Montage des Whirlpools	.4
	1.5.1 Belüftungsgitter	.6
	1.5.2 Inspektionsluke(n)	.7
	1.5.3 Schürzen	.7
	1.5.4 Warm- und Kaltwasserzufuhr	.7
	1.5.5 Wasserablauf	.7
	1.5.6 Elektrischer Anschluss	.8
	1.5.7 Potentialausgleich	.8
2.0	RIHO Acryl-Badewannen (Whirlpools)	.8
3.0	Wartung und Pflege	.8
4.0	Bedienelement	.8
4.1	Elektronische Steuerungen	.8
	4.1.1 Modus	.8
	4.1.2 Aero System	.9
	4.1.3 Hydro System	.9
	4.1.4 Farblichttherapie	.9
	4.1.5 Radio / Bluetooth Funktion	.10
	4.1.6 Reinigungsfunktion	.10
	4.1.7 Heizung	.11
	4.1.8 Trockenfunktion	.11
5.0	Whirlpool-Düsen	.11
5.1	Aerodüsen (Luftdüsen)	.11
	5.1.1 Sparkle Aerodüse	.11
	5.1.2 Flat Aerodüse	.11
5.2	Hydrodüsen (Wasserdüsen)	.11
6.0	Sicherheitshinweise	.12
6.1	Desinfektion und Reinigung	.12
6.2	Benutzertipps	.13
7.0	Außerordentliche Wartung	.13
8.0	Serviceanfrage	.15
9.0	Garantiebedingungen	.15
10.0	Technische Daten	.15
10.1	Hauptstromanschluss (1 Hydromotor)	.15
10.2	Hauptstromanschluss (2 Hydromotoren)	.16
10.3	Fehlerbeschreibung	.16



1.0 Montage von RIHO-Badewannen mit Whirlpoolsystem

RIHO-Whirlpools entsprechen den Verordnungen der EU und der entsprechenden nationalen Gesetze.

ACHTUNG:

- Die Installation muss durch einen zugelassenen Installateur ausgeführt werden
- Der Whirlpool muss gemäß den hier beschriebenen Informationen und Zeichnungen installiert werden. Die Anordnung von Befestigungselementen kann individuell für jede Badewanne sein und ist auf der Badewanne selbst ersichtlich.
- Der Installateur ist für die ordnungsgemäße Vorbereitung der baulichen, elektrischen und wassertechnischen Arbeiten verantwortlich.
- Die Verwendung von Reinigungsmitteln, die nicht von RIHO empfohlen werden, kann die Wanne oder das Whirlpoolsystem beschädigen.
- Die Stromversorgung muss regelmäßig überprüft werden.
- Der Whirlpool darf von Kindern unter 8 Jahren, älteren Personen sowie Personen mit verminderten körperlichen, sensorischen oder mentalen Fähigkeiten oder mangelnder Erfahrung nur unter Aufsicht bzw. nach entsprechender Einweisung benutzt werden, um eine sichere Nutzung und das Verständnis über potentielle Gefahren zu gewährleisten.
- Kinder dürfen im Bereich des Whirlpools nicht spielen.
- Kinder dürfen den Whirlpool ohne Aufsicht nicht reinigen oder Wartungsarbeiten durchführen.
- Der Whirlpool darf maximal in einer Höhe von 2000 m über dem Meeresspiegel installiert werden.
- Falls die Stromversorgung beschädigt ist bzw. es irgendeine Störung (Düse, Motor, Licht, Feuchtigkeit, etc.) gibt, muss der Whirlpool umgehend abgeschaltet und die RIHO-Serviceabteilung informiert werden.
- Spannungsführende Teile, außer Teile, die mit sicherer Niederspannung (max. 12 V) betrieben werden, dürfen nicht frei zugänglich sein.
- Elektrische Teile müssen so installiert werden, dass sie nicht in die Badewanne fallen können. Dies gilt nicht für die Steuerung.

Die Whirlpoolwanne darf nur durch zugelassene Installateure installiert werden, die auch mit den geltenden Aufbau- und Sicherheitsrichtlinien vertraut sind, z.B. Wassereinlass, -abfluss und Stromversorgung. **VOR DEM ERSTEN GEBRAUCH MUSS DER FOLGENDE TEST DURCHGEFÜHRT WERDEN!**

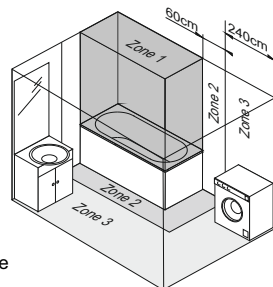
Die Badewanne muss nach der Installation gesäubert werden. Danach wird die Badewanne mit einer Wassertemperatur von 40+/-5°C bis über die höchste Düse gefüllt, damit das System eingeschaltet werden kann. Schalten Sie das System ein und lassen Sie es mindestens 10 Minuten laufen. Testen Sie den Luftmotor in dem Sie alle 5 Stufen mindestens einmal ausprobieren. Wenn das Wasser nicht abgelassen wird, schaltet sich das System 30 Minuten nach der letzten Betätigung eines Knopfes ab. Bitte prüfen Sie alle Leitungsverbindungen auf Leckagen. Nachdem alle notwendigen Änderungen um die vollständige Funktionsfähigkeit zu gewährleisten vorgenommen wurden, wiederholen Sie den Test bitte.

Der Installateur und der Whirlpooeigentümer müssen diese Anleitung jedem Besitzer und Anwender zur Verfügung stellen.

1.1 Sicherheitshinweise für Badezimmer

Steckdosen, Lampen, Schalter und / oder andere technische Ausstattung müssen außer des Gefahrenbereichs gemäß der Landesverordnung und Normen für Badezimmer installiert werden. Diese Verordnungen untersagen insbesondere die Installation von elektrischen Bauteilen in einem Abstand von weniger als 60 cm und einer Höhe von unter 225 cm im unmittelbaren Badbereich (siehe Abb. 1). Die Schalter und andere elektrische Geräte müssen so positioniert werden, dass sie für die im Whirlpool befindliche Person unerreichbar sind.

Abb. 1 Sicherheitsabstände



DER HERSTELLER WEISE JEDE FORM VON HAFTUNG ZURÜCK; WENN:

- Die gültigen, nationalen Anforderungen bzw. Normen in Bezug auf Erdung, Stromstärke und elektrische Installationen im Badezimmer nicht eingehalten wurden.
- Die gültigen Gesetze und Normen für Badezimmer nicht eingehalten wurden.
- Die Anweisungen aus diesem Handbuch nicht beachtet und ausgeführt wurden.

Einige Teile werden nach der Werksprüfung demontiert, um den Transport zu vereinfachen. Bitte vor der Installation sorgfältig prüfen, ob alle Bestandteile vorhanden sind.

Nach Montage angezeigte Schäden fallen nicht unter die Garantie.

1.2 Installation des Whirlpools

Alle RIHO-Whirlpools sind aus Acryl (siehe auch Beschreibung Acrylatwannen) und sind mit dem vom Kunden ausgewählten Whirlpoolsystem ausgestattet.

Weitere Details entnehmen Sie bitte der RIHO-Preisliste.

1.3 Lieferung

Alle Whirlpoolsysteme werden vor dem Versand vollständig installiert und getestet.

ACHTUNG:

Vor der Montage müssen die Kartontage und Folie entfernt und die Badewanne auf Schäden, Material oder Produktionsfehler überprüft werden. Die Badewanne muss während der Montage entsprechend geschützt werden (z.B. durch Pappe, Decke, Folie, etc.). Nach der Montage haftet RIHO nur noch für versteckte Materialfehler.

WARNUNG:

Chromierte Teile dürfen nicht in Kontakt mit Stoffen bzw. Wasser kommen, die dazu genutzt werden Baustoffe zu entfernen, wie z.B. Mörtel, Fliesenkleber etc., da diese chemischen Bestandteile enthalten, die die Chromoberfläche beschädigen können.

1.4 Vorbereitung für die Installation

Bevor der Whirlpool installiert wird, müssen folgende Dinge vorbereitet werden bzw. vorhanden sein:

- Lüftungsgitter für den/die Motor/en mit min. 100 cm² für das einzelne Hydro- bzw. Aerosystem und 200 cm² für das kombinierte Hydro-/Aerosystem.
- RIHO empfiehlt, ein zweites Lüftungsgitter für die bessere Belüftung zu installieren (je nach möglicher Größe, aber sie sollten so weit wie möglich voneinander entfernt installiert werden). Beide Gitter zusammen müssen mindestens 200 cm² groß sein.
- Inspektionsluken (min. 40 x 50 cm) für Wartungsarbeiten (zumindest an den Motoren). Vor den Öffnungen muss mindestens 50 cm freier Raum sein, um die Technik erreichen zu können (siehe Abb. 5). Des Weiteren empfiehlt RIHO die Installation einer Serviceluke in der Nähe der Überlauföffnung.
- Warm- und Kaltwasserzufuhr
- Wasserabfluss
- Elektrischer Anschluss, 230 V / 50 Hz.
- Elektrischer Anschluss, zwei Gruppen von 3x2,5 mm²; 230 / 50Hz (oder eine Gruppe von 5x2,5 mm²) für ein Zwei-Hydro-System
- Potentialausgleich 4 6 mm² Erdungsanschluss an den Whirlpoolrahmen.
- Fester Anschluss zum Leistungsschutzschalter mit Abschaltmöglichkeit (z.B. Schalter mit Statusleiste)

Vor der Wannenmontage muss folgendes durch den Installateur beachtet werden:

- Überprüfung des Whirlpools auf mögliche Schäden vor der Installation. Nach der Installation haftet RIHO nur noch für versteckte Mängel. Die Demontagekosten werden nicht bezahlt im Falle eines Schadens bei einer bereits installierten Wanne.
- Die Rohre, Leitungen und Düsen dürfen nicht zum Transport oder Handling der Badewanne verwendet werden.
- Überprüfung aller Verbindungen der Badewanne auf Leckagen vor der Installation.
- Der Whirlpool darf nicht direkt an der Wand montiert werden, um das Übertragen von Vibrationen zu verhindern. RIHO empfiehlt zwischen der Badewanne und der Wand eine Isolierung anzubringen, um die Geräuschübertragung zu reduzieren.
- Beim Befestigen der Schürzen auf die Schürzenhöhe relativ zur Unterkante der Wanne achten! Aus Belüfungsgründen müssen die Schürzen mindestens 5 mm über dem Boden positioniert werden.

HINWEIS:

Schürzen müssen so installiert werden, dass der Abstand unter der Badewanne die Kriterien der ZONE 3 entspricht, siehe Kapitel 1.1, d.h. dass der Abstand unter der Badewanne nicht ohne Werkzeug erreichbar ist!

1.5 Montage des Whirlpools

- Schützen Sie die Badewanne ordnungsgemäß während der Montage (z.B. mit Pappe, einer Decke, Folie, etc.)
- Die Wanne wird mit einem Stützrahmen mit min. 4 einstellbaren Füßen geliefert. Die Wanne mit den Füßen so justieren, dass sie eben und auf der gewünschten Höhe ist. Die Kontermuttern müssen dann entsprechend festgezogen werden. Danach bitte prüfen, dass alle Füße gleichmäßig auf dem Boden stehen.

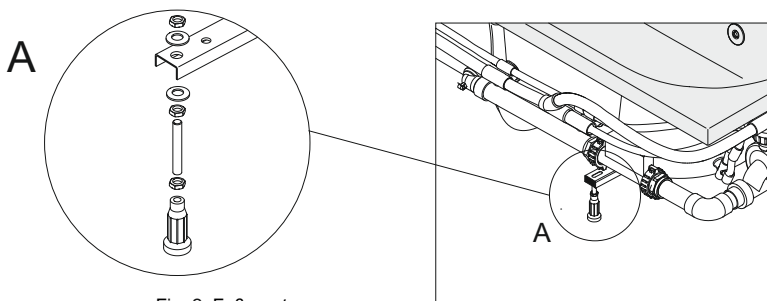


Fig. 2 Fußmontage

- Falls vorhanden, die Überlaufkombination in der Wanne installieren. Stellen Sie sicher, dass alle Teile gemäß der Montageanleitung installiert wurden.
- Die Wanne kann entweder mittels Holzlatten an der Wand befestigt werden (siehe Abb. 3) oder mit den mitgelieferten Klammern (als Alternative), die an der Wand befestigt werden (wie auf der nächsten Seite beschrieben). Diese Befestigungsmethode ist geeignet für die Montage an Fliesen. Es wird abgeraten, den Fliesenrand direkt an der Wanne zu haben, da dies den Zugang zu mechanischen oder elektrischen Bauteilen erschweren kann.
- Justieren Sie die Badewanne ordnungsgemäß.
- Schließen Sie die Wanne an die Ablaufleitung an.

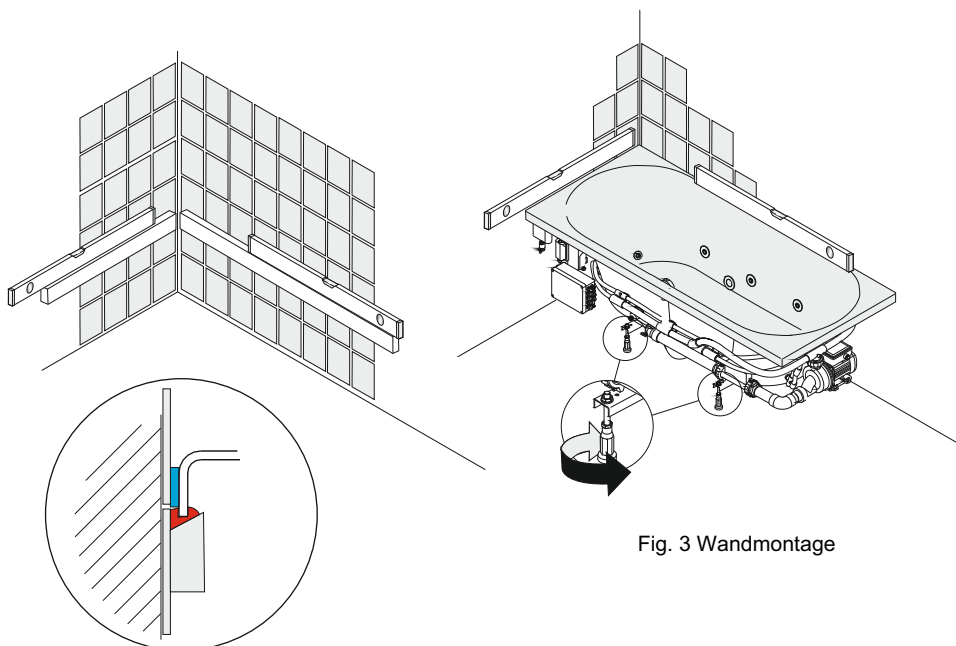
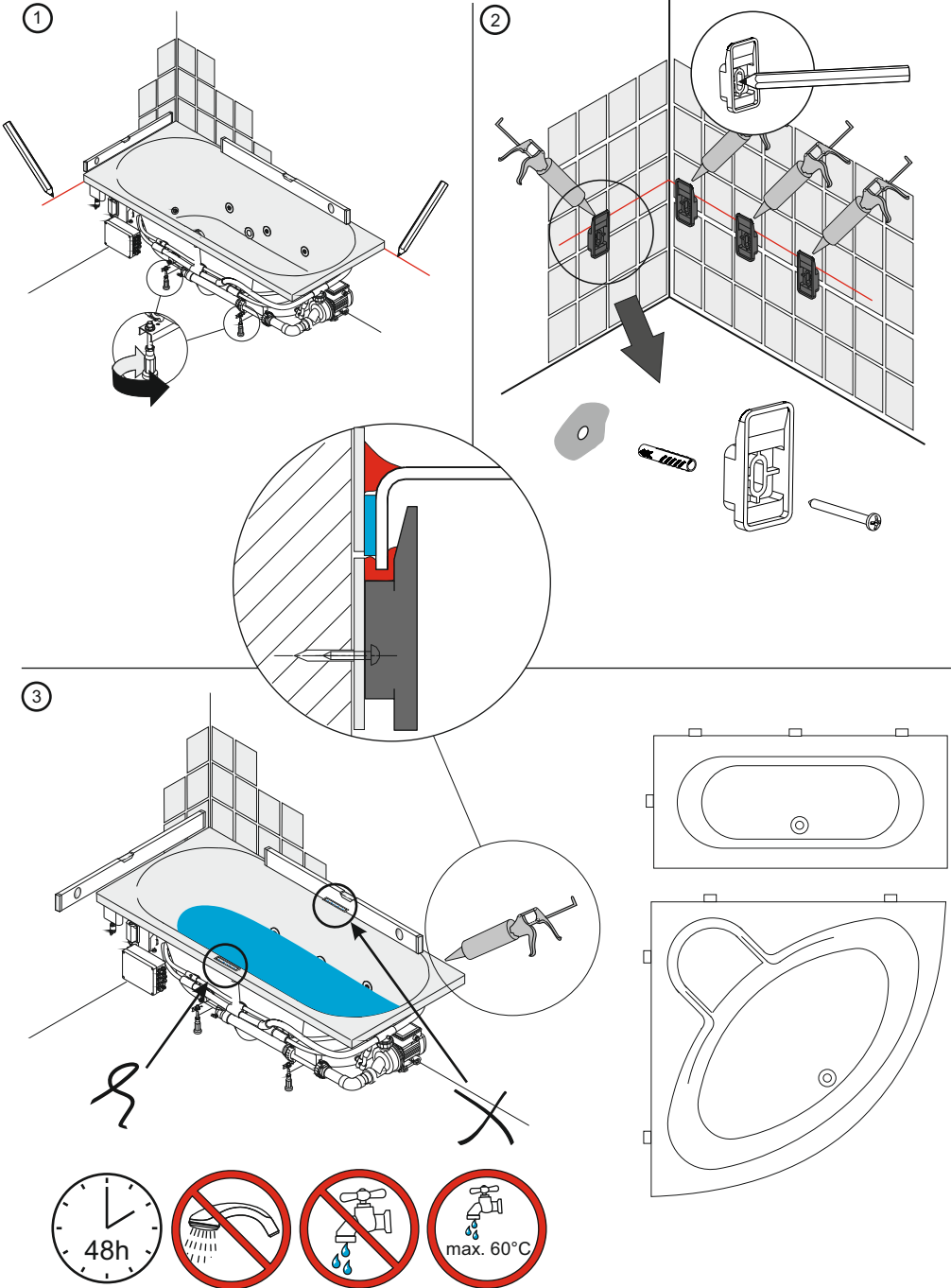
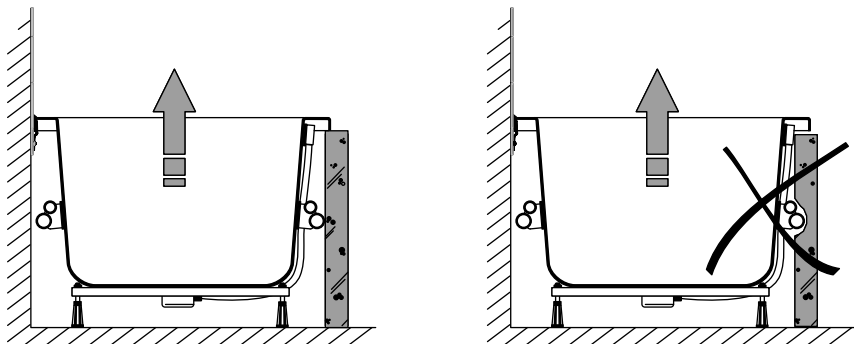


Fig. 3 Wandmontage



4



- Füllen Sie die Badewanne zur Hälfte mit Wasser und prüfen Sie, ob die Wanne immer noch eben ist. Falls nicht, korrigieren Sie die Höhe mit den einstellbaren Füßen. Prüfen Sie, ob der Anschluss des Abflussrohres dicht ist und füllen Sie die Wanne dann bis zum Überlauf mit Wasser. Lassen Sie das Wasser kurz überlaufen, um die Dichtungen und den ordnungsgemäßen Ablauf des Wassers über den Überlauf zu prüfen.
- Die freiliegenden Seiten der Wanne können mit den Schürzen oder mit Fliesen komplettiert werden, entweder rundherum oder in den gewünschten Abschnitten.
- **Zum Abdichten der Badewannenugen nur säurefreies Silikon für Sanitär Anwendungen verwenden!**
- Die Badewanne kann auf verschiedene Weisen positioniert werden:
 - Die Wanne kann gegen die Fliesen montiert werden. Hierzu müssen die Fugen an dem gesamten Rand entlang der Fliesen mit Silikon abgedichtet werden, um Bewegungen zu absorbieren. Hier ist ein Abstand von ca. 4 – 5 mm notwendig, um die Vibrationen am Wannenrand aufzufangen.
 - Falls die Wanne eingefliest wird, statt mit einer Schürze montiert zu werden, muss eine 4 – 5 mm Fuge zwischen der Oberkante der Wand bzw. der ersten Fliesenreihe und dem Badewannenboden berücksichtigt werden. Diese Fuge muss auch mit Silikon abgedichtet werden.

Die Silikonversiegelung bietet einen guten wasserdichten Abschluss und erlaubt der Wanne, sich geringfügig auszudehnen. Es ist daher notwendig, die Wanne vor Beginn der Versiegelung bis zum Überlauf mit Wasser zu füllen und sicherzustellen, dass sie auf allen vier Füßen gleichmäßig steht, bevor sie abgedichtet wird.

1.5.1 Belüftungsgitter

Um eine optimale Funktion des/r Motors/en zu gewährleisten, ist es notwendig, zwei Belüftungsgitter in den Rand oder in die Fliesen unterhalb der Wanne vorzusehen. Dieses Gitter muss spritzwasserdicht und so positioniert sein, dass das Eindringen von Wasser unterhalb der Wanne verhindert wird. Die Oberfläche des Gitters muss min. 100cm² pro Hydro- oder Aerosystem und 200cm² für kombinierte Hydro- und Aerosysteme betragen und darf nicht in Räumen mit weniger als 15°C und mehr als +35°C stehen (siehe Fig. 4).

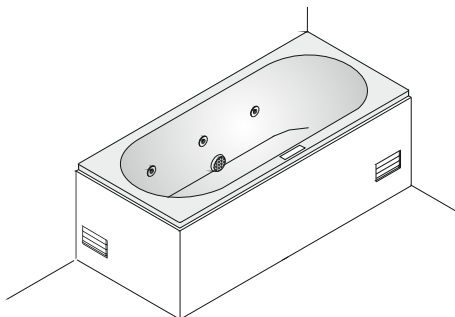


Figure 4 Belüftungsgitter

1.5.2 Inspektionsluke(n).

Für Wartungsarbeiten müssen die Wannenschürze oder die Fliesen mit einer spritzwasserdichten Luke (min. 40 x 50 cm) ausgestattet sein. Solch eine Luke muss für jeden Motor und die Heizung vorgesehen werden. Vor der Luke muss mindestens 50 cm Platz sein, um den freien Zugang zu der Elektronik zu gewährleisten (siehe Fig. 5). Weitere Informationen zu der exakten Position der Luken finden Sie im RIHO Technikatalog. Der RIHO-Wartungsdienst kann die Motoren nicht warten, wenn keine oder zu kleine Luken vorhanden sind. Um einen optimalen Zugang zu den Motoren zu ermöglichen, empfiehlt RIHO, die entsprechenden Schürzen zu verwenden (falls für die Badewanne vorhanden).

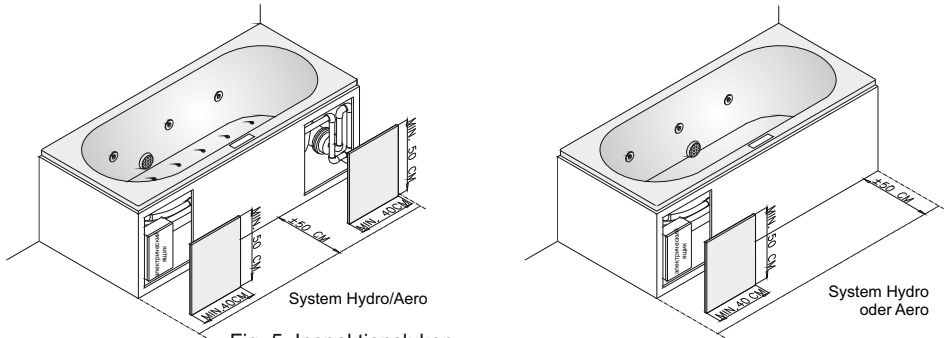


Fig. 5. Inspektionsluken

1.5.3 Schürzen

Schürzen dürfen nicht versiegelt werden, da sie abnehmbar bleiben müssen. Schürzen müssen so installiert werden, dass der Abstand unter der Badewanne die Kriterien der ZONE 3 entspricht, siehe Kapitel 1.1, d.h. dass der Abstand unter der Badewanne nicht ohne Werkzeug erreichbar ist!

1.5.4 Warm- und Kaltwasserzufuhr

Die Leitungen für den Wasseranschluss können entweder am Wannenrand oder an der Wand angebracht werden. Eine Überlaufkombination inklusive Wasserzufuhr ist auch möglich. Zu weiteren Wasserab- und -zulaufmöglichkeiten hilft Ihnen Ihr Installateur gerne weiter. **Die zulässige Wassertemperatur beträgt max. 60°C!**

Bei einer Überlaufkombination inklusive Wassereinfluss muss zwingend ein Rückschlagventil installiert werden. Dies verhindert den Rückfluss des Abwassers in die Versorgungsleitungen.

1.5.5 Wasserablauf

Das Abflussrohr muss mit dem Siphon an den Badezimmerabfluss angeschlossen werden (min. 40 mm). Der Badezimmerabfluss muss ca. 25 – 35 cm von der Mitte des Wannenabflusses positioniert werden und sollte über ausreichend Abwasserkapazität verfügen, um einen entsprechenden Ablauf zu gewährleisten (siehe Fig. 6).

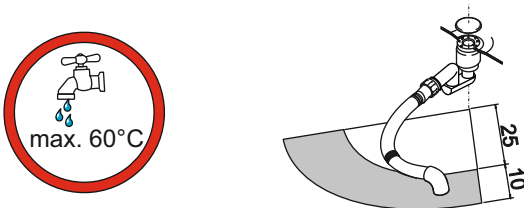


Fig. 6. Abwasserinstallation

1.5.6 Elektrischer Anschluss

Die Stromversorgung für die Installation muss mit einem geeigneten Kabel versehen werden und der Anschluss muss in einer wasserdichten Box erfolgen. Der Whirlpool wird mit einem $3 \times 1.5 \text{ mm}^2$. Der Whirlpool muss mit einem Kabel $3 \times 1.5 \text{ mm}^2$ 230V / 50Hz verbunden werden. Das Kabel muss durch einen geeigneten Schutzschalter 10A mit der Charakteristik C und einem Fehlerstromschutzschalter bis 30 mA geschützt werden. Es ist notwendig alle Anschlüsse (Pole) von der Versorgungsleitung zu trennen. Die Trennung muss so ausgeführt werden, dass sichergestellt ist, dass auch bei Überspannung der Kategorie III alle Anschlüsse (Pole) vollständig getrennt sind (z. B. Schalter mit Statusanzeige). Bitte beachten Sie dabei die örtlichen Gesetze und Vorschriften bezüglich elektrischer Anschlüsse. Wenden Sie sich im Zweifelsfall an einen Installateur oder an einen der RIHO Montage- oder Servicezentren.

1.5.7 Potentialausgleich

Die Montage muss durch eine separate, zusätzliche Anschlussleitung ergänzt werden, die aus der Hauptpotentialverbindung des Gebäudes oder aus der Schaltanlage herausgeführt werden muss, von der aus der Anschluss für den Whirlpool erfolgt. Diese Leitung muss einen festen Kern mit einem minimalen Querschnitt von 4 - 6 mm² haben und ihre Isolierung muss die Farbe grün-gelb haben.

2.0 RIHO Acryl-Badewannen (Whirlpools)

Alle RIHO-Badewannen sind aus Acryl (Polymethylmethacryl), wobei der Boden mittels einer durch glasfaserverstärkten Polyester-Spannplatte gestützt wird. Acryl ist ein durchgängig gefärbter Kunststoff. Die Eigenschaften von Acryl bieten dem Benutzer maximalen Badekomfort, vorausgesetzt, die entsprechenden Installations- und Wartungsanweisungen werden ordnungsgemäß befolgt.

3.0 Wartung und Pflege

- Dank der porenfreien, glatten Oberfläche des Materials haftet der Schmutz gar nicht bzw. kaum. Wartungsarbeiten können durch Reinigen des Bades nach Gebrauch mit einem nassen Schwamm oder Tuch und einem flüssigen Reinigungsmittel (ohne scheuerndes Material) begrenzt werden.
- Die Reparatur von kleinen Rissen und ähnlichen Schäden am Bad kann vom Benutzer durchgeführt werden. Wenn Sie kleinere Schäden selbst beheben möchten, sollte dies mit äußerster Sorgfalt wie folgt geschehen:
- Bei feinen Kratzern genügt ein Chrom- und Lackpolitur (Lösungsmittel- und abriebfrei). Wenn das Ergebnis nicht zufriedenstellend ist, können Sie den Schaden mit wasserfestem Schleifpapier Nr. 600 und dann mit wasserfestem Schleifpapier Nr. 1000 bearbeiten. Für ein perfektes Endresultat mit Chrom- und Lackpolitur nachbearbeiten und Ihr Bad wird so gut wie neu sein.
- Solch ein Set können Sie auch von RIHO bekommen.

WARNUNG: Die Reparatur Ihrer Badewanne erfolgt auf Ihr eigenes Risiko

Größere Schäden, tiefe Kratzer, Löcher und sogar Risse können repariert und somit fast unsichtbar gemacht werden. RIHO empfiehlt allerdings, dieses von spezialisierten Technikern reparieren zu lassen.

4.0 Bedienelement

4.1 Elektronische Steuerungen

Bevor Sie ein Bad im Whirlpool starten, füllen Sie die Wanne bis zu 5 cm oberhalb der höchsten Düse (Hydrosystem) und etwas 15 cm unter dem Rand der Wanne, wenn Sie nur ein Aero-System besitzen. Die Anzeige zeigt an, das die Badewanne dann voll ist.




Berühren oder benutzen Sie keine elektrischen Geräte, wenn Sie den Whirlpool benutzen. Das ist sehr gefährlich.

4.1.1 Modus.

Standby:

Wenn sich das System im Standby-Modus befindet leuchten die Symbole nicht auf.



Einschalten:

Berühren Sie die Schaltfläche " **RIHO** " auf dem Bedienfeld und sie schalten das System ein. Das Display zeigt jetzt die aktuelle Temperatur an. Wenn Sie innerhalb von 30 Sekunden nach dem Einschalten des Systems nichts unternehmen, oder wenn Sie die Taste "  " drücken und für 2 Sekunden halten, werden alle Tasten außer der Taste "  " gesperrt wieder gesperrt. Berühren Sie die Schaltfläche "  " erneut, um diese Sperre aufzuheben.

Ausschalten:

Wenn das System eingeschaltet ist, drücken Sie kurz die Taste " **RIHO** ", um das System auszuschalten. Wenn Sie keine weiteren Tasten drücken, schaltet sich das System nach 30 Minuten automatisch aus. Wenn Sie wiederum eine Taste bedienen, läuft das System immer für 30 Minuten, ab dem Moment, an dem die letzte Taste berührt wurde.

Sicherheitsfunktion:

Wenn Sie die Taste "  " zwei Sekunden lang berühren, wird die Sperrfunktion aktiviert. Alle Tasten sind dann deaktiviert, das System ist jedoch nicht gesperrt. Diese kann durch kurzes Antippen auf die Schaltfläche "  " aufgehoben werden.

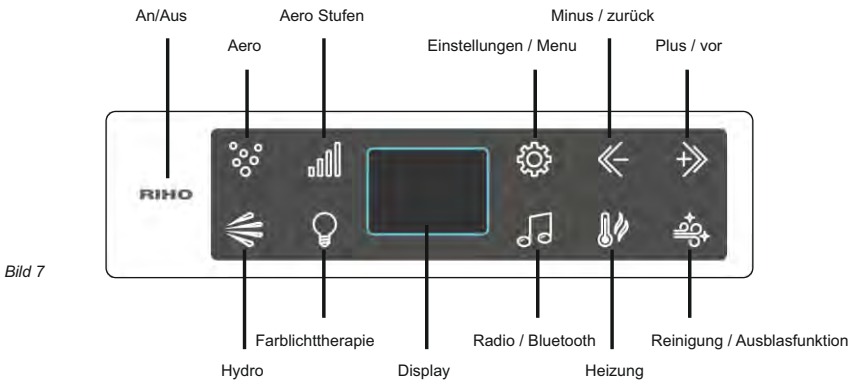


Bild 7

4.1.2 Aero System


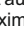
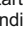


Berühren Sie die Taste "  " auf dem Bedienfeld, um die Aero-Funktion ein- oder auszuschalten. Wenn die Wanne gefüllt ist (Wasserstand ist ausreichend), startet die Aeropumpe und die "  "-Taste leuchtet auf (nicht gedimmt). Die Aeropumpe startet bei maximaler Geschwindigkeit (Stufe 5). Wenn das Bad gefüllt ist (Wasserstand ist ausreichend) und Sie berühren die Schaltfläche "  " können Sie die Geschwindigkeit um eine Stufe erhöhen. Nach der Stufe 5 geht es wieder zurück in die Stufe 1, dann zu 2, 3, 4 und dann wieder zu Stufe 5. Ist die Wanne leer, (Wasserstand nicht ausreichend), funktioniert die Aero-Funktion nicht. Wenn die Taste 5 Sekunden lang nicht berührt wird verlässt das System den Einstellmodus. Der LCD-Bildschirm zeigt dann die aktuelle Einstellung "Lx" (x ist Geschwindigkeitsstufe), wie in Abb. 8 dargestellt:


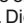



Abb. 8

4.1.3 Hydro System

Berühren Sie die Taste "  " auf dem Bedienfeld, um die Hydrofunktion ein- oder auszuschalten. Wenn die Wanne gefüllt ist (Wasserstand ist ausreichend) startet die Hydropumpe und die "  "-Taste leuchtet auf (nicht gedimmt). Wenn die Wanne nicht gefüllt ist (Wasserstand ist nicht ausreichend), schaltet die Hydro-Funktion nicht ein und die Hintergrundbeleuchtung bleibt abgeblendet. Dies geschieht auch, wenn die Hydrofunktion eingeschaltet ist und der Wasserstand unter den Mindestpegel fällt. Die Hydrofunktion schaltet automatisch aus und die Hintergrundbeleuchtung wird wieder abgeblendet.

4.1.4 Farblichttherapie

Berühren Sie die Schaltfläche "  " auf dem Bedienfeld, um das LED Farblicht ein- oder auszuschalten. Das Farblicht wechselt die Farbe automatisch bei Aktivierung. Die Hintergrundbeleuchtung der Taste wird zu diesem Zeitpunkt wiederholt ein-/ ausgeschaltet. Wenn Sie eine individuelle Farbe bevorzugen, können Sie dies durch Antippen und Halten der Taste "  " für 2 Sekunden sperren. Die Hintergrundbeleuchtung der Taste zeigt an, dass dieser Modus eingeschaltet

ist (nicht abgeblendet). Um den Farbwechsler wieder einzuschalten halten Sie die Taste "  " erneut 2 Sekunden lang gedrückt. Die Hintergrundbeleuchtung der Taste wird wieder wiederholt ein- und ausgeblendet.

4.1.5 Musik / Bluetooth Funktion


Berühren Sie die Schaltfläche "  " auf dem Bedienfeld, um das Radio einzuschalten. Im Display wird nun der aktuelle Radiosender, die Frequenz und die Lautstärke angezeigt. Nochmaliges betätigen schaltet das Radio aus und Sie wechseln zur Bluetooth-Musikfunktion. Wiederholtes drücken schaltet diese Musikfunktion aus.



Abb. 9



Abb. 10

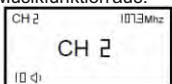


Abb. 11

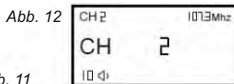
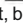
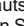
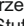
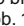
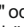
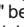
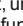
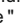
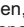



Abb. 12

Wenn das Radio eingeschaltet ist, berühren Sie die Taste "  ". Die Lautstärke wird auf dem Display angezeigt (siehe Abb. 9). Sie können die Lautstärke jederzeit ändern, indem Sie die Taste "  " oder "  " berühren. Der Lautstärkebereich reicht von Stufe 0 bis Stufe 15. Wenn das Radio eingeschaltet ist und Sie die Taste "  " mehrmals berühren, wird das Display wie in Abb. 10 angezeigt. Mit dieser Taste können Sie die Frequenz um jeweils 0.1 Mhz ändern, indem Sie die Taste "  " oder "  " berühren. Der Bereich liegt zwischen 87,5 und 108 MHz. Halten Sie eine dieser Tasten 2 Sekunden lang gedrückt, um nach Kanälen zu suchen, dann Stoppt diese automatisch, wenn ein Kanal gefunden wird. Wenn Sie einen Kanal gefunden haben, warten Sie einfach, bis das System den Einstellungsstatus verlässt. Berühren und halten Sie die Taste "  " für 2 Sekunden, um den aktuellen Kanal zu speichern. Nachdem Sie den Kanal erfolgreich gespeichert haben, wird sein Kanal mit einer Nummer auf dem Display angezeigt, siehe Abb.11. Das System kann insgesamt 10 Kanäle speichern. Wenn das Radio eingeschaltet ist und Sie berühren Sie die Schaltfläche "  " dreimal, bis Sie das in Abb.12 dargestellte Symbol sehen. Berühren Sie die Schaltfläche "  " oder "  " um den gewünschten Funkkanal auszuwählen.

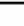
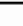


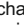

Wenn das System eingeschaltet ist, suchen Sie mit der Bluetooth-Funktion Ihres Bluetooth-Geräts das Signal der Badewanne mit dem Namen "SANJUN MUSIC". Sie können den Namen mit Ihrem Bluetooth-Gerät nach Ihren Wünschen anpassen. Koppeln Sie das Gerät, wenn die Verbindung nicht beim ersten male funktioniert Bluetooth Symbol blinkt, bitte erneut starten. Berühren Sie zweimal die Taste "  ", um zur Bluetooth-Musik zu wechseln. Anschließend wird das Symbol "  " auf dem Display angezeigt (siehe Abb. 13).



Abb. 13

Jetzt können Sie Ihre Musik von Ihrem Bluetooth-Gerät abspielen. Berühren Sie die Schaltfläche "  " um die Bluetooth-Funktion auszusuchen. Wenn die Bluetooth-Musik einen Song abspielt, verwenden Sie die Taste "  ", um zum Menü für die Lautstärkeeinstellung zu gelangen (siehe Abb. 14). Berühren Sie die Schaltfläche "  " oder "  ", um die Lautstärke einzustellen. Der Lautstärkebereich liegt zwischen 0 und 15.

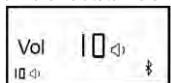

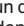
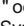



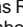

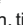
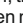

Abb. 14




Abb. 15

Wenn der Bluetooth-Modus aktiviert ist, wechseln Sie mit der Schaltfläche "  " zum Bildschirm, wie in Abb. 15 dargestellt. Berühren Sie nun das "  " oder "  "-Taste, um das gewünschte Lied auszuwählen. Bluetooth-Musik wird automatisch 10 Sekunden nach dem System ausgeschaltet.

4.1.6 Reinigungsfunktion

Wenn das System eingeschaltet ist und der Wasserstand ausreichend ist, berühren Sie die Schaltfläche "  " und dann die Taste "  ", um in das Reinigungsmenu zu gelangen wie in Abb.16 dargestellt. Berühren Sie zum Starten die Schaltfläche "  ". Das Symbol "  " wird in ein Symbol geändert "  " Symbol. Um den Reinigungszyklus abzubrechen, tippen Sie auf die Schaltfläche "  ".

1. 8 Sekunden nach dem Aktivieren der Reinigungsfunktion starten die Hydropumpe und die Aeropumpe.
2. Nach 7 Sekunden öffnet sich das Reinigungsventil 3 Sekunden lang und schaltet sich automatisch ab.
3. Danach starten die Hydropumpe und die Aeropumpe 80 Sekunden lang, gefolgt von einer Pause von 20 Sekunden. Nach diesem 20 Sekunden startet die Hydropumpe und die Aeropumpe für 90 Sekunden erneut. Nach diesen 90 Sekunden ist der Reinigungszyklus abgeschlossen und wird automatisch ausgeschaltet.

Wenn Sie versuchen, die Reinigungsfunktion einzuschalten, wenn sich nicht genügend Reinigungsflüssigkeit im Tank befindet, sehen Sie die das Symbol "  " diese erscheint blinkend auf dem Bildschirm. Nach 3 Sekunden verschwindet das Symbol jedoch wieder.

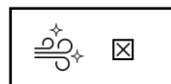


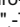



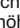
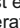





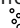
Abb. 16

4.1.7 Heizung

Die Thermostاتفunktion ist gekoppelt mit der Hydropumpenfunktion. Bedienen Sie die Schaltfläche "  ", um die Thermostاتفunktion einzuschalten. Die Zusatzheizung muss gleichzeitig mit dem Hydromotor angeschaltet werden, daher leuchtet der Hydro-Knopf auf zusammen mit der Heizungstaste. Um die Thermostاتفunktion auszuschalten, können Sie die "  "-Taste sowie die Taste "  " berühren. Die Hydropumpe kann nur angehalten werden, wenn Sie die Taste "  " berühren. Das Heizgerät schaltet sich nur ein, wenn die Wassertemperatur mindestens 1 Grad unter der eingestellten Temperatur liegt. Wenn das Wasser diese Temperatur erreicht hat stoppt die Zusatzheizung, solange bis die Temperatur wieder abfällt. Wenn die Heizung eingeschaltet ist, können Sie durch bedienen der "  " Taste die Heizung ausschalten und die Hintergrundbeleuchtung der Taste geht dann aus. Wenn die Thermostاتفunktion eingeschaltet ist und der Wasserstand den minimalen Wasserstand unterschreitet wird diese Funktion ebenfalls automatisch ausgeschaltet. Zum Einstellen der Temperatur können Sie die Taste "  " verwenden, wenn die Heizung ist eingeschaltet. Sie sehen dann die Temperatur auf dem Bildschirm und Sie können durch betätigen die Temperatur erhöhen, dies mit der Taste "  " und verringern Sie mit die Temperatur der Taste "  " .

ACHTUNG: Die Heizung kann das Badewasser nur auf einem bestimmten Temperaturniveau halten und nicht das Wasser komplett erwärmen (Wasser von kalt zu warm erhitzen).

4.1.8 Trockenfunktion

Wenn das System eingeschaltet ist und sich kein Wasser in der Badewanne befindet, können Sie die Taste "  " drücken, um die Trockenfunktion damit zu starten. Die Trockenfunktion geht von Stufe 1 bis Stufe 5 und wird für einen Zeitraum von 15 Sekunden eingeschaltet. Sobald die Stufe 5 erreicht wurde stoppt die Trocknungsfunktion. Dieser gesamte Trocknungszyklus dauert ca. 75 Sekunden. Während dieser Trockenfunktion blinkt die Taste "  ". Nach dem Entleeren des Bades wird die automatische Trockenfunktion nach 15 Minuten automatisch ausgelöst. Die Schaltfläche "  " ist aktiviert und Sie starten das Trockenblasprogramm. Wenn das automatische Trockenprogramm beendet ist, wird die Schaltfläche "  " automatisch ausgeschaltet.

5.0 Whirlpool-Düsen

5.1 Aerodüsen (Luftdüsen)

Wie das Wort Aero schon andeutet, ist dies eine Düse für den Luftstrom. Die Luft strömt durch das Wasser, was eine entspannende Wirkung hat. Die Luft aus der Aerodüsenöffnung tritt mit einer gewissen Geschwindigkeit in die Badewanne ein. Die Luft kann daher als kalt empfunden werden. Die Düsenöffnung selbst wird etwas warm.

5.1.1 Sparkle Aerodüse



Die „Sparkle“-Luftdüse hat eine verchromte Oberfläche. Dieser Strahl erzeugt auch feinere Luftblasen im Vergleich zu den anderen Aerodüsen.

5.1.2 Flat Aerodüse



Die Flat Luftdüse hat eine verchromte Oberfläche. Der innere Teil kann mit einem kleinen Schraubenzieher herausgenommen werden, um die Düse zu reinigen.



ACHTUNG: Achten Sie darauf, die Chromoberfläche nicht zu beschädigen. Nach dem Reinigen der Düsenöffnung kann der innere Teil zurückgeschoben werden. Der innere Teil wird mit einem O-Ring befestigt.

5.2 Hydrodüsen (Wasserdüsen)

Hyrodüsen haben einen gemischten Wasser- und Luftanteil. Dies führt zu einem starken Strahl mit einem Massageeffekt. Die einzelnen Strahlarten werden nachfolgend erläutert:

ACHTUNG: Da einige Düsen durch Drehen geschlossen werden können, ist es möglich, die Düsen bei laufendem Motor zu schließen. Tun Sie dies nicht und stellen Sie sicher, dass mindestens eine verschließbare Düse zu jeder Zeit offen ist. Andernfalls kann dies durch zu hohen Druck zu einer Überhitzung des Motors führen.



Die Hydro-Luxdüse hat eine komplette Chromoberfläche. Die Strömung des Strahls kann stärker oder weicher eingestellt sein. Durch manuelles Drehen des inneren Teils des Strahls kann die Strömung eingestellt werden. Wenn der innere Teil im Uhrzeigersinn gedreht wird, ist die Strömung weniger stark.

6.0 Sicherheitshinweise

Wenn zu wenig Wasser in der Wanne ist, schaltet sich das System nicht ein, um ein Trockenlaufen der Pumpen zu verhindern. Zusätzlich sind alle Motoren mit einem Thermoschalter ausgestattet. Diese schalten die Motoren bei Problemen ab.

6.1 Desinfektion und Reinigung

Anwendung von (RIHO) Reinigungsprodukten; Reinigungsflüssigkeit, Reinigung / Desinfektion von Tabletten und Soda. Whirlpool-Reinigungsprodukte dienen zur Reinigung / Desinfektion des Hydrosystems. Ein Aerosystem arbeitet nur mit Luft und kann / muss nicht mit einem speziellen Produkt gereinigt werden.

Zwei Produkte;

1. RIHO-Reinigungsflüssigkeit
2. RIHO-Reinigung / Desinfektionstabletten (nicht verfügbar in Belgien)
3. Soda

Die RIHO-Reinigungsprodukte haben eine milde Zusammensetzung und eignen sich daher ideal für die Reinigung unserer RIHO Whirlpools. Bei normalem Gebrauch des Whirlpools ist empfohlen, ihn alle 4 bis 5 Whirlpoolgänge mit RIHO-Reinigungsflüssigkeit und Tabletten zu reinigen. Bei geringer Nutzung des Whirlpools empfiehlt es sich, das Bad vorher zu reinigen, damit das System vor dem Gebrauch sauber ist.

1. Reinigungsflüssigkeit

Diese ist für die Reinigung des Hydrosystems. Füllen Sie die Wanne bis knapp über die oberen Düsen. Geben Sie die Reinigungsflüssigkeit in den Reinigungstank. Hier passt die ganze Flasche in den Tank und sie reicht für 6-8 Reinigungszyklen. Bitte folgen Sie den Informationen aus dem Kapitel 4.1.7 dieses Handbuchs. Nach Ende des gesamten Reinigungsprozesses die Wanne entleeren und mit sauberem Wasser abspülen.

2. Reinigungstabletten

Reinigungstabletten sind für die Desinfektion des Hydrosystems. Füllen Sie die Badewanne bis über die oberen Düsen. Geben Sie die RIHO-Reinigungstabletten in die Wanne geben - 1 Tablette auf 50 Liter Wasser. Starten Sie das Massagesystem für 10 Minuten und lassen Sie das Wasser für weitere 10 Minuten in der Wanne. Lassen Sie das System erneut für 2 Minuten laufen, danach das Wasser ablassen und die Badewanne gründlich mit kaltem Wasser auswaschen. Die Badewanne kann sofort nach dem Ausspülen wieder benutzt werden. Wenn Sie den Whirlpool regelmäßig benutzen, empfehlen wir, die Reinigung einmal im Monat durchzuführen.

3. Hauptreinigungszyklus mit Soda

Wenn Sie während der Benutzung des Whirlpoolsystems schwarze Flocken im Wasser sehen, empfehlen wir, mit Soda zu reinigen. Füllen Sie den Whirlpool bis über die oberen Düsen und fügen Sie dem Wasser eine Tüte Soda hinzu. Stellen Sie sicher, dass sich komplett auflöst, da es sonst zu Kratzern kommen kann. Schalten Sie das Hydrosystem manuell ein und aus (jedes Mal 1 ½ bis 2 Minuten, wiederholen Sie dies 4 – 5 Mal für eine ausführliche Spülung aller Schläuche und Schläuche). Das Sodawasser kann über Nacht einweichen, so dass es auch hartnäckigen Schmutz löst. Morgens können Sie den Vorgang wiederholen und das Wasser ablassen.

Bei hartnäckigen Flecken kann der Vorgang zwei oder mehrere Male wiederholt werden. Die schwarzen Flocken sollten bei jedem Durchlauf weniger werden und irgendwann ganz verschwinden.

WARNING:

Bitte beachten Sie unbedingt die folgenden Punkte, wenn Sie RIHO Reinigungsflüssigkeit oder -tabletten verwenden:

- **Bewahren Sie diese Produkte außerhalb der Reichweite von Kindern auf.**
- **Vermeiden Sie Augen- und Gesichtskontakt.**
- **Produkt nicht schlucken.**
- **Falls das Produkt mit der Haut / den Augen / dem Gesicht in Kontakt kommt, umgehend mit Wasser abwaschen.**
- **Nicht inhalieren!**
- **Nicht in der Wanne sitzen, während diese Produkte verwendet werden.**

Reinigungsmittel von anderen Herstellern wurden nicht getestet und somit können wir nichts zu deren Auswirkungen auf unsere Produkte sagen.

6.2 Benutzertipps

- Bei gesundheitlichen Problemen: Konsultieren Sie Ihren Arzt, bevor Sie das Whirlpoolsystem verwenden.
- Die empfohlene Höchstdauer für die Benutzung des Whirlpools beträgt 10 Minuten.
- Das Whirlpoolsystem sollte nicht unmittelbar nach einer Mahlzeit verwendet werden.
- Badeschaum (Sprudelbad), Shampoos oder Seife sollten nur nach der Benutzung des Whirlpoolsystems verwendet werden. Werden diese vor oder während des Betriebs verwendet, wird sehr viel Schaum erzeugt.

7.0 Außerordentliche Wartung

VORSICHT:

Vor der Ausführung sämtlicher Arbeiten am Whirlpool muss der Strom abgeschaltet werden.

ACHTUNG:

Der Whirlpool-Wartungsdienst kann keine Wartungsarbeiten ausführen, wenn keine oder zu kleine Inspektionsluken vorhanden sind

Falls eine außergewöhnliche Wartung oder Probleme auftreten, kontaktieren Sie bitte Ihr Servicecenter. Bei unsachgemäß durchgeführte Arbeiten durch unbefugte Personen erlischt die Garantie und Haftung für die Produktsicherheit des Herstellers umgehend. Falls Teile defekt sind, müssten ausschließlich Original bzw. vom Hersteller genehmigte Ersatzteile eingebaut werden, andernfalls erlischt auch hier die Garantie und die Produkthaftung des Herstellers.

Probleme, Ursachen und Problembeseitigung:

Problem 1.

Durch Betätigung der Ein-/Aus-Taste startet der Whirlpool nicht.

Ursache 1:

Ist der Whirlpool an das Stromnetz angeschlossen?

Lösung 1:

Wurde der Whirlpool ordnungsgemäß angeschlossen? Überprüfen Sie die Sicherungen. Ist die Stromversorgung eingeschaltet?

Ursache 2:

Ist genügend Wasser in der Badewanne? Die elektronisch gesteuerten Whirlpools sind mit einem Wasserstandssensor ausgestattet, die die Funktion des Systems erst bei ausreichend hohem Wasserstand ermöglicht. Befindet sich ausreichend Wasser in der Wanne ist zu prüfen, ob sich der Wasserstandssensor während des Transport oder der Montage gelöst hat.

Lösung 2:

Wenn der Wasserstand zu niedrig ist, Wasser hinzufügen.

Hat sich der Wasserstandssensor gelöst, bitte das RIHO-Servicecenter kontaktieren.

Problem 2.

Die Mini-Rückendüsen funktionieren nicht, wenn der Hydro-Motor eingeschaltet ist.

Ursache 1:

Das Ventil bleibt geschlossen.

Lösung 1:

Schalten Sie die Stromversorgung mit dem Hauptschalter aus, warten Sie 1 Minute und schalten Sie dann wieder ein, hierbei wird die Elektronik zurückgesetzt. Wenn das Problem weiterhin besteht, wenden Sie sich bitte an Ihr Servicecenter.

Problem 3.

Das Reinigungssystem funktioniert nicht.

Ursache 1:

Es befindet sich keine Reinigungsflüssigkeit im Tank.

Lösung 1:

Reinigungsflüssigkeit auffüllen.

Ursache 2

Die Reinigungsflüssigkeit bleibt nicht im Tank, weil das Magnetventil des Tanks nicht schließt.

Lösung 2:

Magnetventil im unteren Teil des Reinigungstanks prüfen und bei Bedarf ersetzen. Für den Ersatz kontaktieren Sie bitte Ihr Servicecenter.

Problem 4.

Der Whirlpool funktioniert gar nicht.

Ursache 1:

Durch absichtliches oder versehentliches mehrfaches Drücken der Steuerelemente kann die Elektronik gestört werden.

Lösung 1:

Schalten Sie die Stromversorgung mit dem Hauptschalter aus, warten Sie 1 Minute und schalten Sie dann wieder ein, hierbei wird die Elektronik zurückgesetzt. Wenn das Problem weiterhin besteht, wenden Sie sich bitte an Ihr Servicecenter.

Problem 5.

Die Systeme funktionieren nicht.

Ursache 1:

Der Hydro- bzw. Aeromotor ist mit einem Thermoschutzhalter ausgestattet. Wenn dieser überhitzt, schaltet der Motor ab. Eine mögliche Ursache hierfür ist ein blockierter Motor. Wiederholte Versuche, einen blockierten Motor zu starten, können ihn beschädigen.

Lösung 1:

Entfernen Sie in diesem Fall die Inspektionsluke des Motors und prüfen, ob die Achse mit einem Schraubenzieher gedreht werden kann. Ist die Pumpe blockiert, muss sie auseinandergenommen und gesäubert werden.

Problem 6.

Das Bluetooth-Gerät verbindet sich nicht mit dem System.

Ursache 1:

Ein anderes Gerät ist auf dem Bluetooth-Kanal gekoppelt.

Lösung 1:

Deaktivieren Sie die Bluetooth-Verbindung mit dem gekoppelten System, so dass sein anderes System gekoppelt werden kann.

Problem 7.

Zusatzheizung arbeitet nicht.

Ursache 1:

Heizung ist an das Hydrosystem gekoppelt und beides muss eingeschaltet sein.

Lösung 1:

Ist das System eingeschaltet? Wenn nicht, schalten Sie bitte die Hydrofunktion ein, ebenfalls die Zusatzheizung. Sollte dieses nicht funktionieren, wenden Sie sich bitte an ein Riho-Servicecenter. Service @riho.de

8.0 Serviceanfrage

Bei einer Serviceanfrage, kontaktieren Sie bitte Ihren Verkäufer.

HINWEIS:

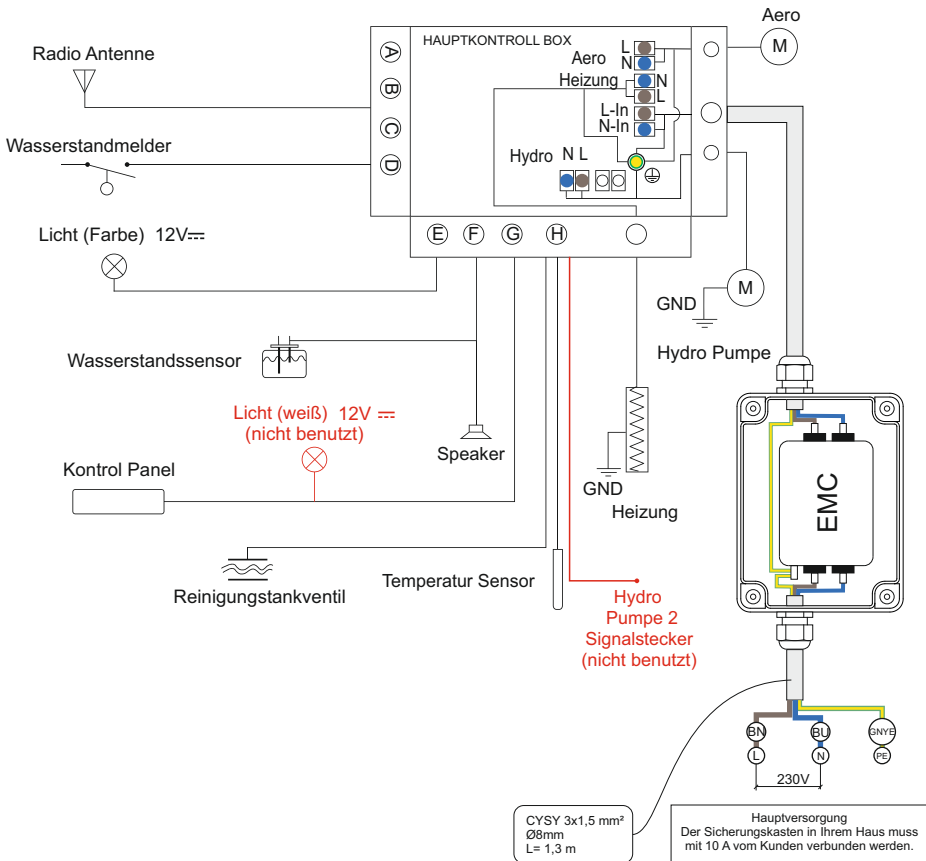
- Gemäß der Montageanleitung muss eine Inspektionsluke mit mindestens 40 x 50 cm bei einer Nischenmontage vorgesehen werden. Es muss auch auf die entsprechende Belüftung durch ein bzw. mehrere Lüftungsgitter geachtet werden.
- Vor der Badewanne muss genügend freier Raum sein, um Servicearbeiten durchführen zu können.
- Falls Schürzen mit Silikon verdichtet wurden, muss dieses entfernt werden, bevor der Techniker vor Ort ist.

9.0 Garantiebedingungen

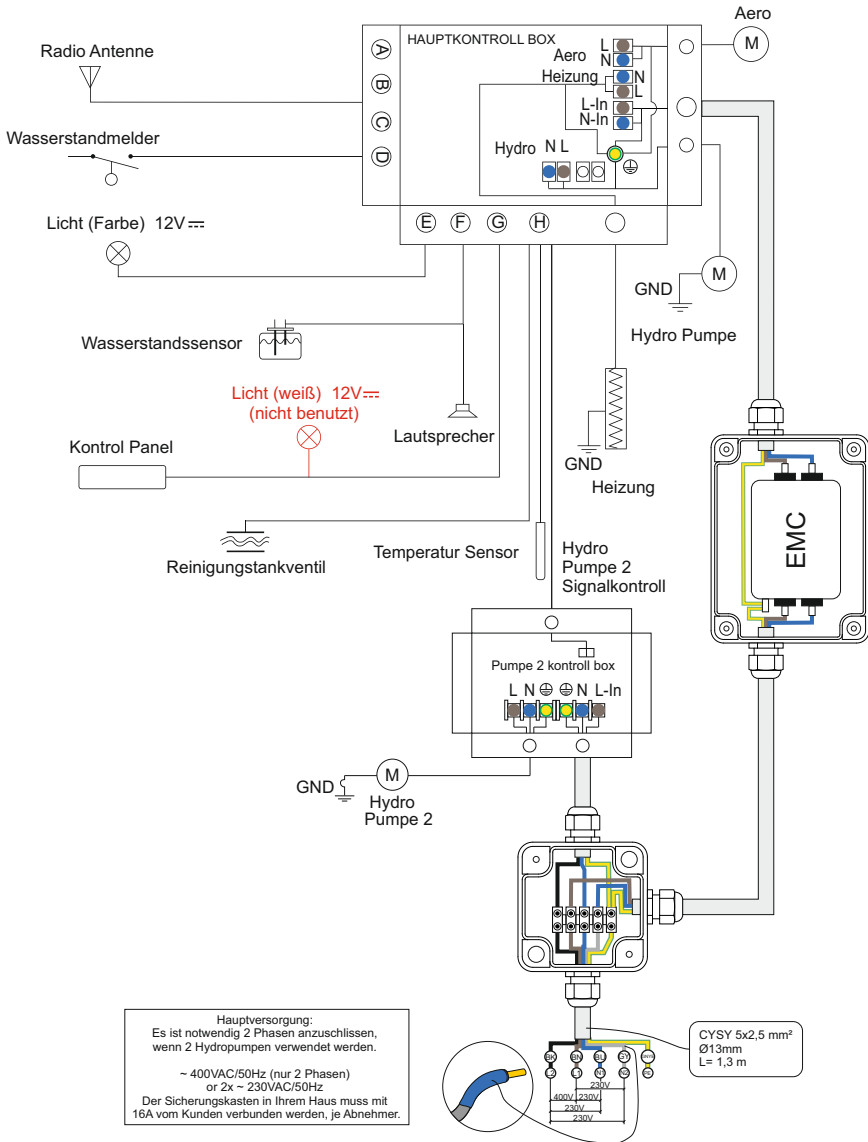
Die aktuellen Garantiebedingungen finden Sie auf unserer Homepage www.riho.com.

10.0 Technische Daten

10.1 Hauptstromanschluss (Ein Hydromoter System)



10.2 Hauptstromanschluss (zwei Hydromoteren System)



10.3 Fehlerbeschreibung

Das LED-Licht der Steuerung:

- leuchtet nicht, d.h., dass das Steuerung nicht richtig mit der Stromversorgung verbunden ist.
- leuchtet permanent, d.h., dass die Steuerung nicht mit dem Bedienfeld kommunizieren kann.
- blinkt, d.h., dass die Steuerung ordnungsgemäß funktioniert.



Manuel d'installation & d'utilisation



Manuel d'installation et de commande baignoires RIHO (bains whirlpool)

Chapitre		Page
1.0	Installation baignoires RIHO (bains whirlpool)	.2
1.1	Prescriptions de sécurité pour les salles de bains	.2
1.2	Installation bain à whirlpool	.3
1.3	Livraison	.3
1.4	Travaux préparatoires	.3
1.5	Installation de la baignoire	.4
1.5.1	Grilles de ventilation	.6
1.5.2	Trappe(s) d'inspection	.7
1.5.3	Panneaux	.7
1.5.4	Alimentation en eau chaude et froide	.7
1.5.5	Évacuation de l'eau	.7
1.5.6	Raccordement électrique	.8
1.5.7	Égalisation potentielle	.8
2.0	Baignoires acryliques RIHO (bains whirlpool)	.8
3.0	Entretien	.8
4.0	Commande	.8
4.1	Commande électronique	.8
4.1.1	Modes	.8
4.1.2	Fonction Aero	.9
4.1.3	Fonction Hydro	.9
4.1.4	Thérapie par la couleur	.9
4.1.5	Fonction radio / Bluetooth	.10
4.1.6	Fonction de nettoyage	.10
4.1.7	Thermostat	.11
4.1.8	Fonction de séchage	.11
5.0	Jets de bain whirlpool	.11
5.1	Aero jets	.11
5.1.1	Sparkle aero jet	.11
5.1.2	Flat aero jet	.11
5.2	Hydro jets	.11
6.0	Protection	.12
6.1	Désinfection et nettoyage	.12
6.2	Conseils d'utilisation	.13
7.0	Entretien extraordinaire	.13
8.0	Demande de service	.15
9.0	Conditions de garantie	.15
10.0	Données techniques	
10.1	Raccordement électrique principal (un système hydromoteur)	.15
10.2	Raccordement électrique principal (deux systèmes hydromotorisés)	.16
10.3	Messages d'erreur	.16



1.0 Installation baignoires RIHO (bains whirlpool)

Les installations de bain whirlpool sont entièrement conformes à la réglementation européenne et aux lois nationales en vigueur dans ce domaine.

ATTENTION :

- L'installation de la baignoire doit être effectuée par un installateur agréé.
- La position des supports et des attaches est unique pour chaque baignoire et doit donc être appliquée à la baignoire fournie.
- Le client est responsable des bons préparatifs de construction, du câblage et des travaux de plomberie.
- L'utilisation de produits de nettoyage contenant des substances autres que celles prescrites par Riho peut endommager le système de baignoire ou de bain whirlpool.
- Les tests et le remplacement éventuel des fusibles doivent être effectués régulièrement.
- Le système peut être utilisé par des enfants de moins de 8 ans et plus et par des personnes ayant des capacités physiques, sensorielles ou mentales réduites ou un manque d'expérience et de connaissances si elles sont guidées ou formées pour utiliser le dispositif de manière sûre et identifier les dangers potentiels.
- Les enfants ne doivent pas jouer avec le système.
- Le nettoyage et l'entretien effectués par l'utilisateur ne doivent pas être réalisés par des enfants sans surveillance.
- L'altitude maximale autorisée pour l'utilisation du système est de 2000 m.
- Si l'alimentation est endommagée et en cas de défaut (par ex. Buse, moteur, humidité légère, etc.), le système doit être éteint et il faut contacter le service après-vente RIHO.
- Les pièces avec des parties sous tension, à l'exception des composants avec une basse tension de sécurité de 12 V max., ne doivent pas être accessibles à la personne quand elle se trouve dans la baignoire.
- Les composants avec des parties électriques autres que les télécommandes doivent être placés ou fixés de manière à ne pas tomber dans la baignoire

Le bain whirlpool ne peut être adapté que par des installateurs capables de démontrer aux autorités compétentes les connaissances et compétences nécessaires pour répondre aux exigences de sécurité nationales, comme la prise d'eau / l'évacuation et l'alimentation électrique.

Avant la première utilisation, effectuez d'abord les tests suivants : Après l'installation, vérifiez que la baignoire est complètement propre. Remplissez la baignoire avec de l'eau à une température de $40 \pm 5^\circ \text{C}$ jusqu'à un niveau d'eau juste au-dessus du jet le plus élevé. Allumez le système et laissez-le fonctionner pendant 10 minutes. Testez les étapes de la fonction Aero au moins une fois pendant le test. Sans se vider, le système s'éteint 30 minutes après que la dernière touche ait été enclenchée. Ensuite, vérifiez tous les tuyaux et les connexions au niveau des fuites. Après tous les ajustements nécessaires pour assurer l'intégrité ou le remplacement des éléments défectueux, la procédure est répétée

L'installateur et le premier propriétaire de bain whirlpool doivent fournir des instructions d'utilisation et d'entretien aux suivants propriétaires et utilisateurs.

1.1 Prescriptions de sécurité pour les salles de bains.

L'installation de prises de courant, de lampes, d'interrupteurs et / ou d'autres installations électriques doit avoir lieu en dehors des zones dangereuses prévues par les réglementations et normes nationales relatives aux salles de bains. La réglementation interdit expressément toute installation électrique à une distance inférieure à 60 cm et une hauteur inférieure à 225 cm de la zone entourant la baignoire (voir l'image 1). L'interrupteur et les autres appareils électriques doivent être placés dans une zone inaccessible à la personne utilisant le bain whirlpool.

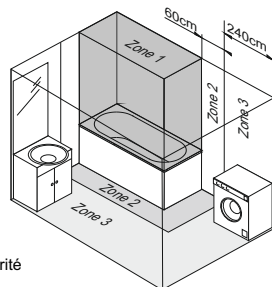


Image. 1 Distances de sécurité

LE FABRICANT DÉCLINE TOUTE RESPONSABILITÉ LORSQUE :

- les réglementations et normes juridiques nationales applicables aux installations terrestres, potentielles et électriques de la salle de bains ne sont pas respectées.
- les prescriptions des lois et normes nationales applicables à la sécurité des salles de bains ne sont pas respectées.
- les instructions décrites dans ce manuel ne sont pas respectées.

Les baignoires sont parfois partiellement démontées après avoir été soumis à une inspection en usine afin de faciliter le transport et l'introduction dans l'espace de destination. Il est conseillé de vérifier soigneusement les parties de la baignoire avant de l'installer. **Les dommages non déclarés avant l'installation ne sont pas couverts par la garantie.**



1.2 Installation bain whirlpool

Tous les bains whirlpool Riho sont en acrylique (voir description: baignoires acryliques) et réalisés avec un système de bains whirlpool choisi par le client.

Consultez les listes de prix Riho pour toutes les possibilités.

1.3 Livraison

Par défaut, tous les systèmes de bain whirlpool sont complètement assemblés, testés fonctionnellement et emballés.

ATTENTION :

Avant l'installation, retirez l'emballage en carton et le film pour vérifier que la baignoire ne soit pas endommagée, ainsi que les défauts de matière et de production. Protégez correctement la baignoire pendant l'installation (par exemple avec du carton, une couverture, du papier bulle, etc.). Après l'installation, Riho ne peut garantir que les défauts de matériel cachés.

AVERTISSEMENT :

Ne laissez pas les pièces chromées entrer en contact avec des matériaux de construction ou de l'eau utilisés pour enlever des matériaux de construction tels que du mortier, du mastic ou de la colle à carrelage en raison des composants chimiques.

1.4 Travaux préparatoires.

L'installateur doit entre autres prendre en charge les dispositions structurelles suivantes :

- Grille de ventilation pour le ou les moteurs d'au moins 100 cm² pour chaque système Hydro ou Système Aero et 200 cm² pour les systèmes combinés Hydro / Aero.
- Il est recommandé d'installer une 2ème grille de ventilation pour la ventilation naturelle (placez-la aussi loin que possible). Les deux grilles ensemble ont alors au moins une surface de 200 cm².
- Trappe (s) d'inspection pour l'accès de service (le plus près possible des moteurs) d'une taille minimale de 40 x 50 cm - voir image 5. Riho recommande de placer une trappe d'inspection au trop-plein.
- Alimentation en eau chaude et froide.
- Évacuation de l'eau
- Raccordement électrique, un groupe de 230V / 50Hz.
- Raccordement électrique, deux groupes de 3x2,5 mm²; 230 / 50Hz (ou un groupe de 5x2,5 mm²) pour un système à deux hydromoteurs.
- Égalisation potentielle 6 mm² de mise à la terre sur châssis de bain whirlpool.
- Connexion fixe avec disjoncteur avec options de déconnexion (par ex. Interrupteur avec indication d'état).

Notez ce qui suit pour installer la baignoire:

- Avant l'installation, vérifiez le bain et le système au niveau de tout défaut. Pour les défauts déterminés après l'installation, aucun frais de démantèlement ne sera remboursé. Après l'installation, nous ne pouvons que garantir les vices cachés.
- N'utilisez pas de buses, de tuyaux ou de jets pour maintenir la baignoire pendant l'installation ou lors du déplacement.
- Vérifier les fuites avant d'installer le bain à tourbillons.
- Le bain à tourbillons doit être séparé du mur afin que les vibrations inévitables provoquées par le moteur ne soient pas transmises. L'utilisation de ruban isolant de baignoire entre le bord de la baignoire et les murs est recommandée, ce qui réduira le niveau de bruit.
- Lorsque vous installez des panneaux acryliques, faites attention à la hauteur du panneau par rapport au bord inférieur de la baignoire. Le panneau doit être à au moins 5 mm du sol pour la ventilation.

ATTENTION :

Les dalles latérales doivent être installées de manière à ce que l'espace sous la baignoire soit conforme au critère ZONE 3, voir chapitre 1.1, c'est-à-dire que l'espace sous la baignoire est inaccessible sans utiliser les outils !



1.5 Installation de la baignoire

- Protégez la baignoire contre les dommages pendant l'installation (par exemple avec du carton, une couverture, du film, ...)
- La baignoire a un cadre en métal avec 4 pieds réglables ou plus. Veillez à ce que la baignoire soit à niveau et ajustée à la bonne hauteur et n'oubliez pas de verrouiller les contre-écrous. Veillez à ce que toutes les pattes soient correctement posées sur le sol.

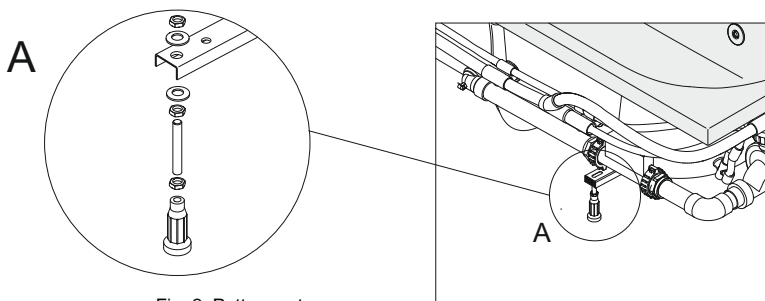


Fig. 2 Patte montage

- Montez la combinaison de débordement dans la baignoire si nécessaire. Veillez à ce que toutes les pièces soient correctement assemblées conformément aux instructions d'installation fournies par le fabricant.
- La baignoire peut être fixée au mur à l'aide d'une tige de bois (voir image 3, montage mural) ou à l'aide des clips fournis (alternative) à monter, comme cela est présenté à la page suivante. Cette méthode de montage est valable pour le montage de la baignoire contre le carreau. Nous ne recommandons pas de carreler les carreaux sur le bord de la baignoire car cela rend difficile l'accès aux composants mécaniques et électroniques.
- Réglez le niveau de la baignoire.
- Connectez la baignoire à l'évacuation de l'eau.

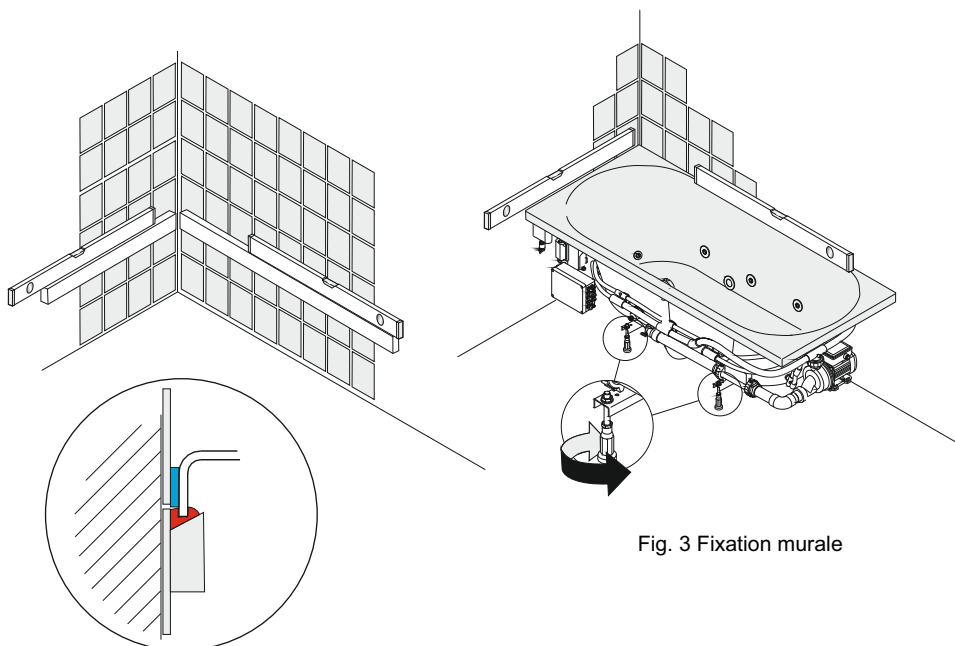
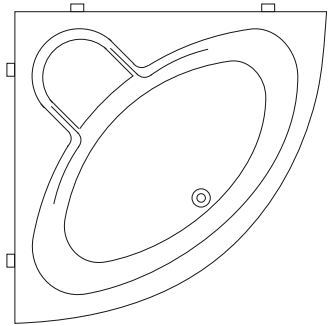
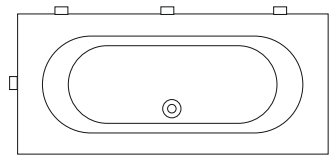
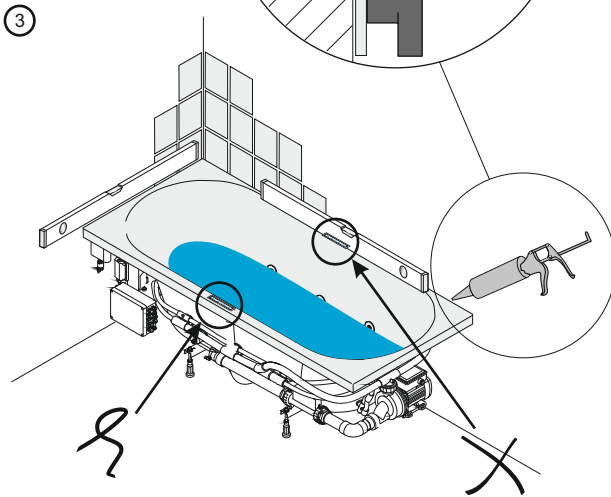
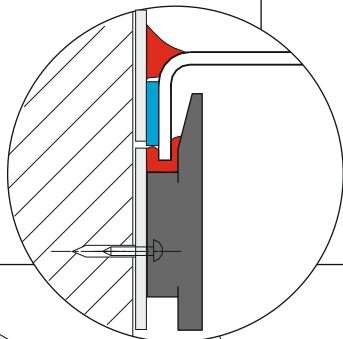
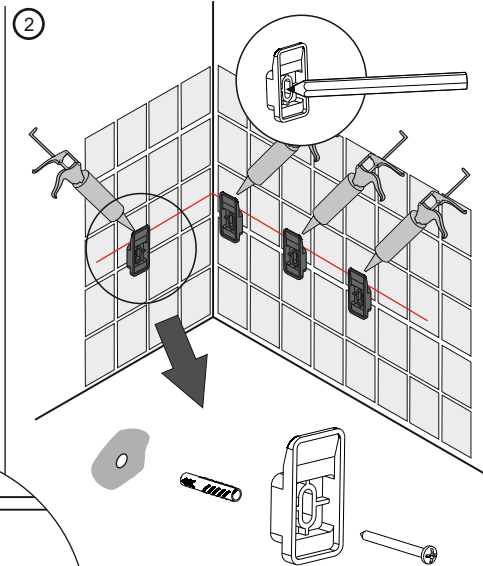
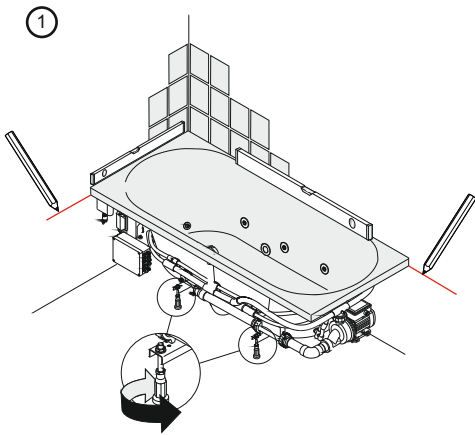
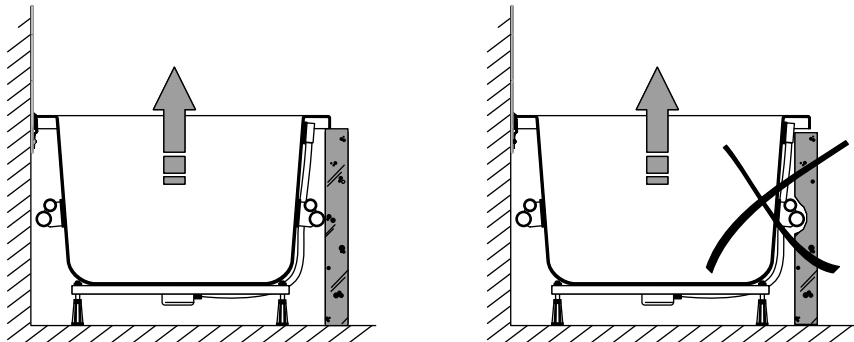


Fig. 3 Fixation murale



4



- Remplissez le bain à moitié d'eau et vérifiez si le bain est toujours à niveau. Ceci est nécessaire. Utilisez les pattes réglables pour la correction. Vérifiez si le tuyau de vidange est raccordé de manière étanche, vous pouvez alors remplir le bain jusqu'au trop-plein. Laissez déborder et vérifiez le trop-plein quant à l'étanchéité et à l'évacuation.
- Les côtés ouverts de la baignoire peuvent être finis de différentes manières, par exemple avec des panneaux acryliques ou avec un mur de carreaux. Cela peut se produire sous tout le rebord, mais aussi localement.
- **Seul un scellant en silicone sans acide de qualité sanitaire doit être utilisé pour sceller les joints de baignoire!**
- La baignoire peut être placée de différentes manières, à savoir:
 - La baignoire est placée contre les carreaux du mur. Il faut mastiquer le rebord pour absorber tout mouvement dans la baignoire.
 - Lors de l'installation de la baignoire dans une niche (prise en sandwich entre deux parois) et/ ou au niveau de la finition avec une rangée horizontale de carreaux, le joint (4-5 mm) entre le bord de la baignoire et la rangée et / ou le mur de carreaux doit également être mastiqué avec du silicone. Cet espace de 4 à 5 mm est nécessaire pour absorber le moment exercé sur le bord de la baignoire.
 - Lorsque le mur est terminé avec un mur au niveau de la face inférieure au lieu d'un panneau en plastique, il doit y avoir un joint entre le haut du mur ou la rangée de carreaux et le bord inférieur de la baignoire de 4 à 5 mm.

Le scellant à base de silicone offre un bon joint de finition imperméable et donne à la baignoire la possibilité de se dilater un peu. Il est donc nécessaire que la baignoire soit remplie d'eau jusqu'au bord du trop-plein et que la baignoire repose bien sur ses pattes avant de commencer le jointoiment.

1.5.1 Grilles de ventilation

Pour que le ou les moteurs fonctionnent de manière optimale, il est nécessaire d'installer deux grilles de ventilation dans le cadre ou dans le mur sous la baignoire. Ces grilles doivent être protégées contre les éclaboussures et installées dans un endroit tel qu'aucune éclaboussure ne puisse pénétrer dans la baignoire. La surface de passage minimale d'une grille doit être de 100 cm² et ne doit pas donner sur des pièces où la température est inférieure à + 15 ° C et supérieure à + 35 ° C. (Voir l'image 4).

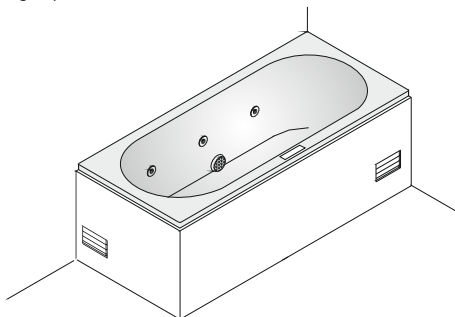


Figure 4 Grilles de ventilation

1.5.2 Trappe(s) d'inspection.

Pour permettre l'entretien, une trappe d'inspection anti-éclaboussures d'une taille minimale de 40x50 cm doit être installée dans le contour de la baignoire ou dans le mur. Afin de pouvoir fournir le service, il est nécessaire d'installer une trappe distincte pour chaque moteur. (Voir image 5.) Les trappes d'inspection des carreaux magnétiques Riho peuvent être commandées auprès de votre revendeur. Voir le catalogue technique RIHO pour la position exacte des trous. Le service après-vente de Riho ne peut pas fournir de service s'il n'y a pas ou trop peu de trappes d'inspection. Riho recommande d'utiliser des panneaux avant en acrylique pour un accès optimal au système (si disponible avec le type de baignoire).

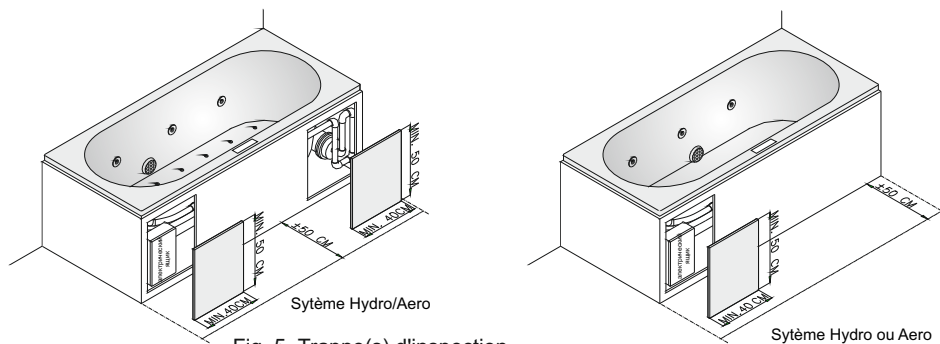


Fig. 5. Trappe(s) d'inspection

1.5.3 Panneaux.

Si des panneaux sont utilisés, ne les verrouillez pas. Ceux-ci doivent être amovibles. Les panneaux doivent être installés de telle sorte qu'il existe un espace sous la baignoire, qui répond aux critères ZONE 3, voir la section 1.1, pour que l'espace sous la baignoire ne soit pas accessible sans l'utilisation de l'accessoire!

1.5.4 Alimentation en eau chaude et froide.

Les tuyaux d'alimentation peuvent être installés sur le bord de la baignoire ou sur le mur pour le raccordement du robinet de baignoire. Un système de drainage / débordement avec alimentation en eau est également disponible. Renseignez-vous auprès de votre revendeur pour connaître les combinaisons de drainage / débordement Riho avec alimentation en eau dans la baignoire. **La température maximale admissible de l'eau est de 60 °C.**

Lors de l'installation d'un système de drainage / débordement avec alimentation en eau dans la baignoire, une alimentation en eau d'aérateur doit toujours être placée dans la conduite d'alimentation. Cela doit éviter à l'eau sale de retourner dans la conduite d'alimentation.

1.5.5 Évacuation de l'eau.

Raccordez le tuyau de vidange avec le siphon au tuyau de vidange de la salle de bains (min. 40 mm). Le tuyau de vidange de la salle de bains doit être positionné à environ 25 à 35 cm de la ligne médiane de la sortie de la baignoire et doit être capable d'évacuer suffisamment, de sorte que l'évacuation adéquate soit assurée (voir l'image 6).

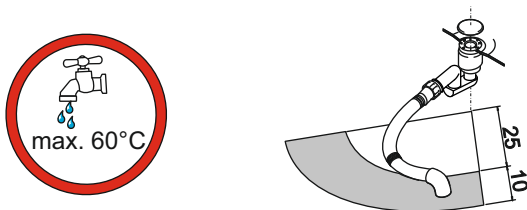


Fig. 6. Installation d'évacuation

1.5.6 Raccordement électrique

L'alimentation électrique de l'installation doit être équipée d'un câble approprié et le raccordement doit être effectué dans un boîtier étanche. Le bain balnéo est livré avec un câble de 3x1,5mm² ou 5x2,5mm² (5x2,5mm² en cas de bain balnéo avec chauffage ou avec deux moteurs hydrauliques). La baignoire balnéo doit être raccordée avec un câble 3x1,5mm² 230V / 50Hz (si livré avec un câble 3x1,5mm²). Dans le cas d'un bain balnéo livré avec un câble de 5x2,5mm², il est nécessaire d'utiliser 2 phases. Le raccordement doit se faire avec un câble 5x2,5mm² 400V / 50Hz (2 phases, 2 neutre, 1 masse) ou deux câbles 3x2,5mm² 230V / 50Hz. Chaque câble doit être protégé par le disjoncteur approprié avec la caractéristique C. Câble 3x1,5mm² disjoncteur 10A. Câble 5x2,5mm² (ou 2x câble 3x2,5mm²) avec disjoncteur 16A et disjoncteur différentiel jusqu'à 30mA. Il est nécessaire d'assurer la déconnexion de tous les pôles de la ligne d'alimentation fixe. L'élément de sectionnement doit avoir des distances de contact afin de garantir que tous les pôles sont complètement déconnectés en cas de surtension de catégorie III (par ex. interrupteur avec indication d'état). Veuillez respecter les lois et réglementations locales concernant le raccordement électrique. En cas de doute, consulter un spécialiste en électricité ou installateur sanitaire certifié ou contacter l'un des centres de montage ou de service RIHO.

1.5.7 Égalisation potentielle

L'installation doit être complétée par un câble de raccordement supplémentaire séparé, qui doit être guidé depuis le raccordement de potentiel principal du bâtiment ou depuis le tableau à partir duquel le raccordement pour le bain whirlpool a été effectué. Ce fil doit avoir un noyau massif avec un diamètre minimum de 4-6 mm2 et l'isolation doit être une combinaison vert-jaune.

2.0 Baignoires Riho en acrylique (Bains whirlpool)

Toutes les baignoires Riho sont en acrylate (polyméthacrylate de méthyle) et renforcées dans le fond par un panneau de particules et renforcées avec du polyester de fibre de verre.

L'acrylate est un plastique coloré en profondeur. Les propriétés de l'acrylate offrent à l'utilisateur un maximum de confort dans la baignoire, à condition qu'il respecte les instructions d'installation et de maintenance correcte.

3.0 Entretien

- En raison de la surface lisse et sans pores du matériau, la saleté ne colle pas ou ne colle presque pas. L'entretien peut être réduit en le nettoyant avec une éponge ou un chiffon humide et un détergent doux après avoir utilisé la baignoire.
- Des réparations de dommages mineurs peuvent être effectuées par vous-même. Si vous le faites vous-même, la prudence est de mise. Cela peut être fait comme suit :
- Si ce sont des rayures très fines, un « chrome et vernis à laque » (sans solvant ni grain) peuvent suffire. Si cela ne donne pas suffisamment de résultats, vous pouvez poncer les dégâts avec du papier de verre imperméable n° 600 et ensuite avec du papier de verre imperméable n° 1000. Une finition avec un « chrome et vernis à laque » pour un résultat final parfait et votre baignoire est comme neuve.
- Un kit complet est disponible chez votre revendeur.

AVERTISSEMENT : Réparer votre baignoire est à vos risques et périls !

Les gros dégâts, les rayures profondes, les trous et même les fissures peuvent être réparés de manière pratiquement invisible. Vous pouvez les faire réparer par des professionnels spécialisés.

4.0 Commande

4.1 Commandes électroniques.

Avant d'utiliser l'installation d'hydromassage, remplissez la baignoire jusqu'à 5 cm au-dessus du jet le plus haut (système hydraulique) et jusqu'à 15 cm environ sous la jante (système aérodynamique).




NE touchez PAS, ne manipulez PAS et n'utilisez PAS d'appareils électriques lorsque vous utilisez le bain whirlpool. C'est très dangereux.

4.1.1 Modes.

Veille :

Lorsque le système est en mode veille, les icônes ne s'allument pas.



Mise sous tension :

Appuyez sur le bouton " **RIHO** " du panneau de commande pour activer le système. L'écran affichera maintenant la température actuelle. Si aucune opération n'est effectuée dans les 30 secondes qui suivent la mise sous tension du système ou si vous maintenez le bouton "  " pendant 2 secondes, tous les boutons sont verrouillés, à l'exception du bouton "  ". Appuyez sur le bouton "  " pour déverrouiller le système.

Mise hors tension :

Lorsque le système est allumé, appuyez brièvement sur le bouton " **RIHO** " pour l'éteindre. Si aucune opération n'est effectuée après la mise sous tension du système, celui-ci s'éteindra automatiquement au bout de 30 minutes. Si vous touchez un bouton, le système fonctionnera pendant 30 minutes à partir du moment où le dernier bouton a été touché.

Verrouillage de sécurité :

Lorsque vous appuyez sur le bouton "  " pendant deux secondes, la fonction de verrouillage est activée. Tous les boutons sont désactivés jusqu'à ce que le système soit déverrouillé. Cela peut être fait en touchant brièvement le bouton "  ".

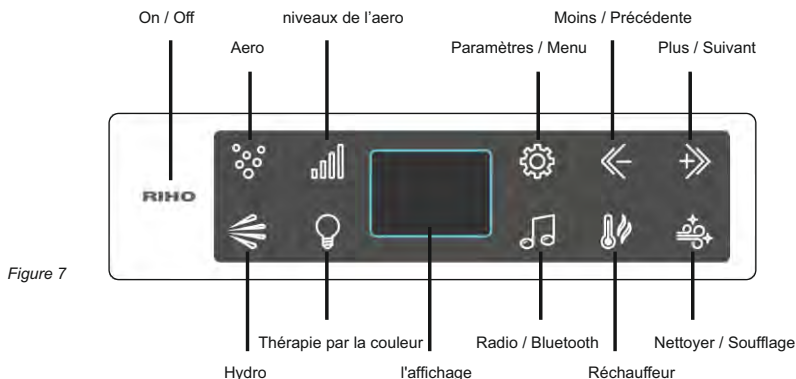


Figure 7

4.1.2 Fonction Aero

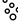
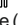


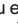
Appuyez sur le bouton "  " du panneau de commande pour activer / désactiver la fonction Aero. Lorsque la baignoire est remplie (le niveau d'eau est suffisant), la pompe Aero commencera à fonctionner et le bouton "  " s'allumera (non atténué). La pompe Aero démarrera à sa vitesse maximale (niveau 5). Lorsque la baignoire est remplie (le niveau d'eau est suffisant) et que vous appuyez sur le bouton "  ", la vitesse montera d'un niveau à la fois. Après le niveau 5, elle revient au niveau 1, puis aux niveaux 2, 3, 4 puis de nouveau au niveau 5. Lorsque la baignoire est vide (le niveau d'eau n'est pas suffisant), la fonction Aero ne fonctionne pas. Lorsque vous n'appuyez pas sur ce bouton pendant 5 secondes, le système quitte le mode de réglage de vitesse Aero. L'écran LCD affiche « Lx » (x est le niveau de vitesse) comme le montre l'image 8






Figure 8

4.1.3 Fonction Hydro

Appuyez sur le bouton "  " du panneau de commande pour activer / désactiver la fonction hydro. Lorsque la baignoire est pleine (le niveau d'eau est suffisant), la pompe hydro commencera à fonctionner et le bouton "  " s'allumera (non atténué). Lorsque la baignoire est vide (le niveau d'eau n'est pas suffisant), la fonction hydro ne fonctionnera pas et restera à l'état atténué. Cela se produit également lorsque la fonction hydro est activée et que le niveau d'eau tombe en dessous du niveau minimum. La fonction hydro s'arrête alors et le rétroéclairage revient à un état atténué.

4.1.4 Thérapie par la couleur

Appuyez sur le bouton "  " du panneau de commande pour allumer / éteindre la lumière chromée. La lumière chromée changera de couleur automatiquement une fois activée et le rétro-éclairage activé / désactivé de manière répétée à ce moment-là. Lorsque vous obtenez votre couleur préférée, vous pouvez la verrouiller en appuyant sur le bouton "  " pendant 2 secondes. Le rétro-éclairage du bouton se trouvera dans ce mode (non atténué). Pour reprendre la boucle de couleur, appuyez et maintenez de nouveau le bouton "  " pendant 2 secondes. Le rétro-éclairage du bouton s'allumera et s'éteindra de manière répétée.

4.1.5 Fonction radio/Bluetooth





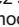
Appuyez sur le bouton "  " du panneau de commande pour activer la radio. L'écran affichera maintenant le canal actuel, la fréquence et le volume. Appuyez sur ce bouton pour éteindre la radio et passez à la fonction de musique Bluetooth. Appuyez à nouveau sur le bouton pour désactiver la fonction de musique.



Figure 9

Quand la radio est allumée, appuyez sur le bouton "  " et vous verrez le volume sur l'affichage comme indiqué à l'image 9. À ce stade, vous pouvez modifier le volume en appuyant sur le bouton " < " ou " > ". La plage de volume va du niveau 0 au niveau 15. Lorsque la radio est allumée et que vous appuyez plusieurs fois sur le bouton "  ", vous verrez l'affichage comme illustré à l'image 10. À ce stade, vous pouvez modifier la fréquence à 0,1 MHz en appuyant sur le bouton " < " ou " > ". La plage est comprise entre 87,5 et 108 MHz. Touchez l'une de ces touches et maintenez-la enfoncée pendant 2 secondes pour rechercher des stations, car cela s'arrêtera lorsqu'une chaîne est trouvée et diffusée. Lorsque vous obtenez la station, il vous suffit de quitter l'état de réglage. Touchez et maintenez le bouton "  " pendant 2 secondes pour enregistrer le canal actuel. Une fois que vous avez bien sauvegardé la station, vous verrez le numéro comme indiqué à l'image 11. Le système peut enregistrer 10 stations au total. Lorsque la radio est allumée et que vous appuyez sur le bouton "  " trois fois jusqu'à ce que l'icône de l'image 12. Touchez le bouton " < " ou " > " pour choisir la station radio que vous aimez.






Lorsque le système est activé, utilisez la fonction Bluetooth de votre périphérique Bluetooth pour rechercher le signal de la baignoire portant le nom « SANJUN MUSIC ». Vous pouvez régler le nom à votre guise sur votre périphérique Bluetooth. Associez le périphérique, si la connexion échoue pour une raison quelconque, l'icône Bluetooth "  " clignotera. Si cela se produit, essayez de le connecter à nouveau. Appuyez deux fois sur le bouton "  " pour accéder à la musique Bluetooth. L'icône "  " apparaît alors à l'écran, comme illustré à l'image 13.



Figure 10

Maintenant, vous pouvez jouer la chanson à partir de votre appareil Bluetooth. Touchez le bouton "  " pour désactiver la fonction Bluetooth. Lorsque la musique Bluetooth joue une chanson, utilisez le bouton "  " pour accéder au menu de réglage du volume, comme illustré à l'image 14. Appuyez sur le bouton " < " ou " > " pour régler le volume. La plage de volume va du niveau 0 au niveau 15.

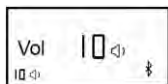

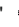
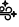
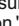

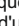




Figure 11

Lorsque le mode Bluetooth est activé, utilisez le bouton "  " pour accéder à l'écran tel qu'il est montré à l'image 15. Touchez maintenant le bouton " < " ou " > " pour choisir la chanson que vous aimez. La musique Bluetooth s'éteint automatiquement 10 secondes après l'extinction du système.

4.1.6 Fonction de nettoyage

Lorsque le système est allumé et que le niveau d'eau est suffisant, appuyez sur le bouton "  ", puis sur le bouton "  " pour accéder au menu 'Nettoyer' comme le montre l'image 16. Pour commencer, appuyez sur le bouton "  " et l'icône "  " deviendra une icône "  ". Pour abandonner le cycle de nettoyage, appuyez sur le bouton "  ".

1. 8 secondes après l'activation de la fonction nettoyage, la pompe Hydro et la pompe Aero démarrent.
 2. Après 7 secondes, la vanne de nettoyage s'ouvre pendant 3 secondes et s'éteint automatiquement.
 3. Ensuite, la pompe Aero et la pompe Hydro fonctionnent pendant 80 secondes, suivies d'une pause de 20 secondes. Après ces 20 secondes, la pompe Aero et la pompe Hydro reprennent leur fonctionnement pendant 90 secondes. Après ces 90 secondes, le cycle de nettoyage est terminé et il s'éteint automatiquement.
- Lorsque vous essayez d'activer la fonction de nettoyage lorsqu'il n'y a pas suffisamment de liquide de nettoyage dans le réservoir, vous verrez l'icône "  " clignoter. Après 3 secondes, l'icône disparaîtra.

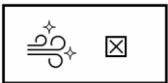


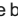
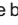





Figure 12

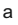



4.1.7 Thermostat

La fonction thermostat est limitée par la fonction pompe Hydro. Appuyez sur le bouton "  " pour activer la fonction

thermostat. Le chauffage doit fonctionner simultanément avec le moteur Hydro, de sorte que le bouton Hydro s'allume en même temps que le bouton du chauffage. Pour désactiver la fonction de thermostat, vous pouvez appuyer sur le bouton „" ainsi que sur le bouton "". La pompe Hydro ne peut être arrêtée que lorsque vous appuyez sur le bouton "". L'appareil de chauffage ne s'allume que lorsque la température de l'eau est inférieure d'au moins 1 degré à la température définie. Lorsque l'eau atteint la température fixée, l'appareil de chauffage cesse de chauffer jusqu'à ce que la température baisse à nouveau. Lorsque le chauffage est allumé, vous pouvez appuyer sur le bouton "" pour l'éteindre et ce sera aussi le cas du rétro-éclairage du bouton. Si la fonction de thermostat est en marche et que le niveau d'eau tombe en dessous du niveau minimum, il s'éteindra également. Vous verrez alors la température apparaître à l'écran et vous serez alors capable d'augmenter la température avec le bouton "" et de la baisser avec le bouton "".

ATTENTION : le chauffage est destiné à maintenir l'eau à un certain niveau de température et pas à chauffer l'eau de froid à chaud.

4.1.8 Fonction de séchage

Lorsque le système est allumé et qu'il n'y a pas d'eau dans la baignoire, vous pouvez appuyer sur le bouton "" pour lancer la fonction de séchage. La fonction de séchage passe du niveau 1 au niveau 5 pendant 15 secondes à chaque étape. Une fois le niveau 5 terminé, la fonction de séchage s'arrête. Ce cycle complet prend 75 secondes. Pendant cette fonction de séchage, le bouton "" clignote. Après avoir vidé la baignoire automatiquement, la fonction de séchage démarre automatiquement au bout de 15 minutes. Le bouton "" sera activé et lancera le programme de séchage à sec. Lorsque le programme de séchage automatique est terminé, le bouton "" s'éteint automatiquement.

5.0 Jets de bain whirlpool

5.1 Aero jets

Comme le mot Aero jet l'indique, il s'agit d'un jet qui n'émet que de l'air. L'air tourne du jet vers le haut, ce qui a un effet relaxant. L'air de l'ouverture de l'Aero jet pénètre dans la baignoire à une certaine vitesse. L'air peut donc être ressenti comme froid. Le boîtier de jet lui-même devient un peu chaud.

5.1.1 Sparkle aero jet



Le Sparkle aero a une finition chromée. Ce jet offre une bulle plus fine qu'un système Aero ordinaire.

5.1.2 Flat aero jet



Le Flat aero jet a une finition chromée. Pour nettoyer le jet, la partie interne peut être retirée à l'aide d'un petit tournevis.



AVERTISSEMENT : Faites très attention à ne pas endommager le chrome. Ensuite, la partie interne peut être repoussée après le nettoyage. La partie interne est serrée avec un joint torique.

5.2 Hydro jets

Les hydro jets ont un jet d'eau et d'air mixte. Cela crée un jet puissant avec un effet massant. Le fonctionnement de tous les hydro jets est décrit ci-dessous.

ATTENTION : Certains jets pouvant être complètement fermés, il est possible de fermer tous les jets lorsque la pompe hydro est allumée. Ne le faites JAMAIS et laissez toujours au moins 1 jet verrouillable complètement ouvert. Ceci parce que sinon la pompe hydro ne peut pas perdre sa pression et surchauffer.



Le Hydro Lux jet a une finition entièrement chromée. L'écoulement du jet peut être ajusté en fonction plus dure ou plus douce. Le réglage est possible en tournant la partie interne du jet à la main. Si la partie interne est tournée dans le sens des aiguilles d'une montre, la force diminue.

6.0 Protection

S'il n'y a pas assez d'eau dans la baignoire, le système ne s'allume pas pour assurer une protection contre le fonctionnement à sec. Le moteur est également équipé d'une protection thermique. Le moteur s'éteindra éventuellement si des problèmes surviennent.

6.1 Désinfection et nettoyage

Utilisation de produits de nettoyage (Riho); Liquide Clean, tablettes Clean / de désinfection et soude

Les produits de nettoyage Clean pour bain whirlpool sont destinés au nettoyage / à la désinfection du Système Hydro. Un Système Aero ne souffle que de l'air et ne doit pas être nettoyé avec un produit spécial.

Trois produits ;

1. Liquide Riho Clean
2. Tablettes Riho Clean/ de désinfection (non disponibles en Belgique)
3. Soude

Les produits de nettoyage RIHO sont doux au niveau de la composition et s'utilisent parfaitement dans nos bains whirlpool RIHO.

Au cours de l'utilisation normale du bain whirlpool, il est recommandé de nettoyer le bain whirlpool après 4 à 5 utilisations, une fois avec du liquide de nettoyage et une fois avec les tablettes. Si vous utilisez peu le bain whirlpool, il est conseillé de nettoyer la baignoire avant de l'utiliser, de sorte que le système soit propre.

1. Liquide Riho Clean / liquide de nettoyage

C'est pour le nettoyage du Système Hydro. Vous remplissez le bain juste au-dessus des jets supérieurs.

Remplissez le réservoir Clean avec le liquide de nettoyage. Une bouteille dure 6 à 8 rinçages. Une fois le nettoyage terminé, vidangez l'eau du bain whirlpool.

2. Tablettes Clean / tablettes de nettoyage.

C'est pour désinfecter le Système Hydro. Vous remplissez le bain juste au-dessus des jets supérieurs. La première fois que vous utilisez les tablettes Clean, ajoutez-en cinq à l'eau (pour les sessions ultérieures deux/ trois tablettes suffisent à chaque fois). Activez le Système Hydro manuellement, désactivez et rallumez (1 ½ à 2 minutes à la fois, répétez 4 à 5 fois afin d'obtenir un bon rinçage de tous les tuyaux). Laissez ensuite s'écouler l'eau du bain whirlpool.

3. Grand nettoyage avec de la soude.

Lorsque vous êtes confronté à des flocons noirs qui se retrouvent dans l'eau de la baignoire, nous vous recommandons de nettoyer avec de la soude. Remplissez le bain juste au-dessus du jet supérieur. Ajoutez la solution d'un sachet de soude à l'eau chaude dans la baignoire. Assurez-vous que cela soit correctement dissous afin que cela ne puisse pas causer de rayures. Activez le Système Hydro manuellement, désactivez et rallumez (1 ½ à 2 minutes à la fois, répétez 4 à 5 fois afin d'obtenir un bon rinçage de tous les tuyaux). Cette eau du bain peut tremper pendant 3 à 4 heures afin que la saleté tenace se détache. Répétez ensuite le processus et vous pouvez laisser l'eau sale s'écouler du bain whirlpool.

En cas de dépôts tenaces, la procédure peut être répétée deux fois ou plus. Les flocons noirs devraient alors diminuer à chaque fois et finalement disparaître.

AVERTISSEMENT :

Les points suivants sont importants lors de l'utilisation des tablettes de désinfection Riho Clean et du liquide Riho Clean Plus :

- Tenir hors de portée des enfants.
- Eviter le contact avec le visage et les yeux.
- Pas pour usage interne.
- En cas de contact, rincer à l'eau.
- Ne pas inhaler
- Ne pas s'asseoir dans la baignoire, alors que des produits ont été ajoutés.

Les produits Clean d'autres marques n'ont pas été testés sur nos produits, par conséquent, leur effet n'est pas connu.



6.2 Conseils d'utilisation

- En cas de problèmes de santé : consultez votre médecin avant d'utiliser le système de bain whirlpool. Durée maximale d'utilisation du bain whirlpool recommandée 10 minutes.
- Ne pas utiliser le système de bains whirlpool immédiatement après un repas.
- N'utiliser la mousse de bain, les shampoings ou le savon qu'après avoir utilisé le système de bains whirlpool. Son utilisation avant ou pendant le fonctionnement du bain whirlpool provoquera beaucoup de mousse.

7.0 Entretien extraordinaire

ATTENTION:

Coupez toujours l'alimentation avant d'effectuer les travaux.

Le service après-vente des bains whirlpool ne peut assurer le service s'il n'y a pas ou trop peu de trappes d'inspection.

Pour un entretien extraordinaire, contactez votre service après-vente agréé. En cas de manipulation incorrecte par du personnel non autorisé, la garantie et la responsabilité du fabricant pour la sécurité du produit seront immédiatement annulées. En cas de pièces cassées, utilisez uniquement des pièces de rechange d'origine et approuvées, sinon la garantie et la responsabilité du fabricant pour la sécurité du produit deviendront caduques.

Trouver et résoudre des problèmes.

Problème 1.

Le bain à tourbillons ne fonctionne pas après avoir touché le tableau de commande.

Cause 1:

Vous n'avez aucune tension sur le bain whirlpool.

Solution 1:

Le bain whirlpool est-il bien connecté ? Vérifiez les fusibles.

Le courant est-il activé ?

Cause 2:

Le niveau d'eau n'est pas assez élevé.

Les bains whirlpool à commande électronique sont équipés d'un interrupteur de niveau et ne permettent au système de fonctionner que lorsque le niveau d'eau est suffisamment élevé.

S'il y a suffisamment d'eau, vérifiez que l'interrupteur de niveau ne s'est pas détaché pendant le transport ou l'installation.

Solution 2:

Faire le plein d'eau s'il n'y a pas assez d'eau.

Si le commutateur de niveau est déconnecté, veuillez contacter le service après-vente Riho.

Problème 2.

Les mini-jets pour le dos ne fonctionnent pas lorsque le moteur hydraulique est allumé.

Cause 1:

L'hydro jet semble fermé.

Solution 1:

Supprimez la tension via l'interrupteur principal et attendez 1 minute, puis rallumez-le, cela provoquera la « réinitialisation » de l'électronique. Si le problème persiste, veuillez contacter votre revendeur.

Problème 3.

Le système de nettoyage ne fonctionne pas.

Cause 1:

Pas assez de liquide de nettoyage dans le réservoir

Solution 1:

Remplissez le réservoir clean avec suffisamment de liquide de nettoyage.



Cause 2:

Aucun liquide de nettoyage ne reste dans le réservoir car la valve du réservoir reste ouverte.

Solution 2:

Vérifiez l'électrovanne au bas du réservoir et remplacez-la si nécessaire. Pour le remplacement, veuillez contacter votre revendeur.

Problème 4.

Le système ne démarre pas.

Cause 1 :

En appuyant fréquemment ou involontairement sur les boutons de commande, l'électronique peut être dérégulée.

Solution:

Retirez la tension de l'interrupteur principal et attendez 1 minute, puis rallumez-la, cela entraînera la réinitialisation de l'électronique. Si le problème persiste, appelez votre service après-vente.

Cause 2:

Les moteurs hydro et aéro sont équipés d'une protection thermique. En cas de surchauffe, le moteur s'éteindra. Une cause possible peut être que le moteur est bloqué.

Solution 2:

Cela peut être fait en enlevant la trappe d'inspection et en vérifiant à l'arrière du moteur si l'arbre peut être tourné à l'aide d'un tournevis. Si la pompe est bloquée, elle doit être démontée et nettoyée. L'activation à plusieurs reprises d'un moteur / pompe bloqué peut entraîner des dommages.

Problème 5.

Le périphérique Bluetooth n'est pas associé au système.

Cause 1:

Un autre appareil est toujours connecté au canal Bluetooth.

Solution:

Commencez par déconnecter la connexion Bluetooth au périphérique connecté afin de pouvoir associer un nouveau périphérique.

Problème 6.

Le périphérique Bluetooth ne se connecte pas au système.

Cause 1:

Un autre appareil est toujours associé au canal Bluetooth.

Solution 1:

Tout d'abord, déconnectez la connexion Bluetooth avec le périphérique couplé afin qu'un autre périphérique puisse être couplé avec le système.

Problème 7.

Le chauffage ne fonctionne pas.

Cause 1:

Le chauffage est lié au système hydro primaire.

Solution 1:

Ces systèmes sont-ils allumés ? Sinon allumez-les, et ensuite activez le chauffage. Si cela ne fonctionne pas, appelez un centre de service Riho.



8.0 Demande de service

Pour les demandes de service, contactez votre revendeur.

ATTENTION :

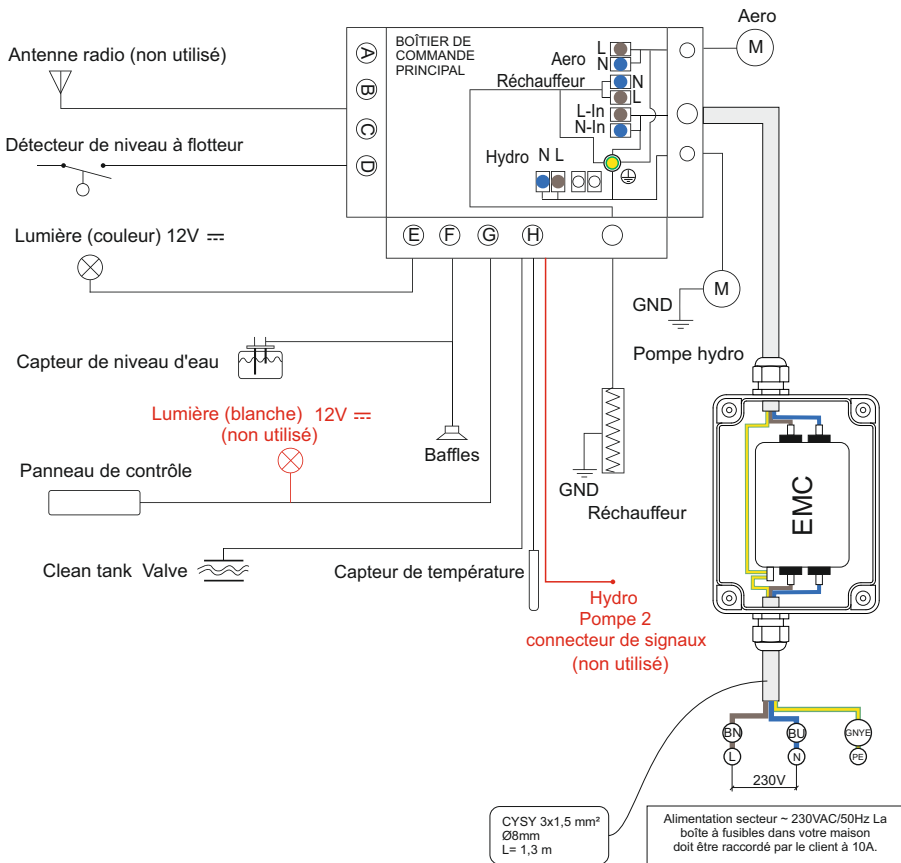
- Conformément aux instructions d'installation, pour une méthode d'installation encastrée, une trappe d'inspection avec des dimensions minimales de 40 (la) x 50 (h) cm. doit être présente.
- La pièce doit être exempte d'obstacles pour effectuer des travaux.
- Dans le cas d'un panneau encastré, vous devez retirer le kit avant la visite de notre technicien.

9.0 Conditions de garantie

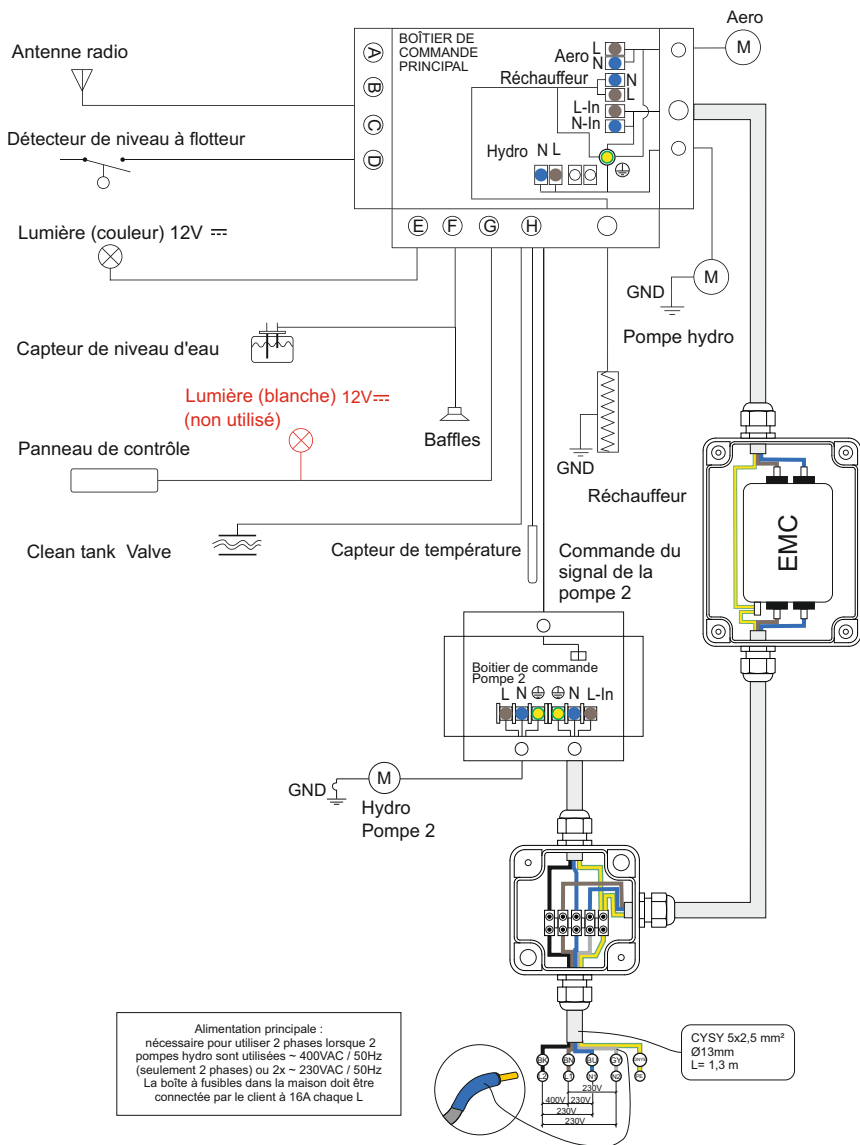
Pour les conditions de garantie actuelles, veuillez-vous référer à notre site : www.riho.com

10.0 Données techniques

10.1 Raccordement électrique principal (un système hydromoteur)



10.2 Raccordement électrique principal (deux systèmes hydromotorisés)



10.3 Messages d'erreur

La lampe LED du boîtier de commande :

- Est éteinte, cela signifie que le boîtier de commande n'est pas (correctement) connecté à l'alimentation.
- Est constamment allumé, cela signifie que le boîtier de commande ne peut pas communiquer avec la commande.
- Clignote, cela signifie que le boîtier de contrôle fonctionne normalement.

RIHO

Pure beauty

NL **RIHO International b.v.**
Hermesstraat 10
5047TS Tilburg
Netherlands
T: +31-(0)13 5728728
F: +31-(0)13 5720262
E: info@riho.nl

B **RIHO Belgium b.v.b.a**
Nijverheidslaan 27
3290 Diest
Belgium
T: +32-(0)13 314780
F: +32-(0)13 336604
E: service@riho.be

D **RIHO Sanitär-Vertriebs GmbH**
Adlerstrasse 4 – 8
D - 58708 Menden
Germany
T: +49-(0)2373 933 93 30
F: +49-(0)2373 933 93 40
E: info@riho.de

PL **RIHO Polska Sp. z o.o.**
ul. Zgierska 250/252
91-364 Łódź
Poland
T: +48-(0)42 2506258
F: +48-(0)42 2506257
E: biuro@riho.pl

CZ **RIHO CZ, a.s.**
Suchý 37
680 01 Boskovice
Czech Republic
T: +42-(0)516 468222
F: +42-(0)516 468216
E: info@riho.cz

H **RIHO Magyarország Kft.**
Budafoki út 60
1117 Budapest
Hungary
T: +06 1 696 11 02
F: +06 1 696 11 03
E: info@riho.hu

Internet (Интернет)
WWW.RIHO.COM
WWW.RIHO.CZ

Aan foutief opgegeven uitvoeringen/specificaties e.d. kunnen geen rechten ontleend worden. Druk-en zetfouten voorbehouden.

No rights can be granted in case of erroneously entered models/specifications etc. Printing and typesetting errors reserved.

Aus falschen Angaben zu Ausführungen/Spezifikationen u. dgl. können keinerlei Rechte abgeleitet werden. Druck- und Satzfehler vorbehalten.

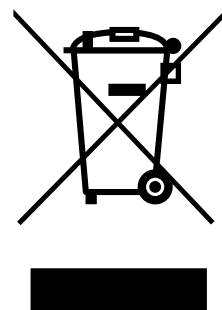
Aucune obligation légale ne peut découler des éventuelles mentions erronées de caractéristiques, spécifications, etc. Sous réserve d'erreurs typographiques ou d'impression.

V případě chybně uvedených modelů, specifikací atd. nelze uplatňovat žádné právní nároky. Chyby tisku a sazby vyhrazeny.

Błędy w nazwie modelu/parametrach technicznych, itp., nie upoważniają do jakichkolwiek roszczeń. Producent nie ponosi odpowiedzialności za błędy w druku i składzie tekstu.

В случае ошибочно указанных моделей/спецификаций и т.п. не предоставляется никаких прав. Сохраняется право на ошибки печати и типографского набора.

A hibásan bevezetett modellek, műszaki adatok stb. nem biztosítanak további jogokat a vásárlónak. A nyomdai és tördelési hibák jogát fenntartjuk.



CE
RIHO Suchý 37, 680 01 Czech Republic
05 DoP-2014-02
Hydro, Aero, Hydro/Aero (exact product code - see sticker on package přesný kód výrobku - viz nálepka na obalu) PH EN 12764

IW00372.0
110112511