

SPRING RISE



Characteristic

- Ceramic
- Glossy White, Pebble grey
- Overflow

Washbasin	Article Nr.	WxDxH (cm)	Height Inner Basin (cm)	Tap Holes	Sinks	Weight (kg)
Spring Rise Fountain Left	W012001005 <small>W012001106 (Pebble grey)</small>	40x20x12	7,8	1	1	8
Spring Rise Fountain Right	W012002005 <small>W012002106 (Pebble grey)</small>	40x20x12	7,8	1	1	8
Spring Rise 60	W005001005	61x46,5x12	9,5	1	1	16
Spring Rise 80	W005002005	81x46,5x12	9,5	1	1	22
Spring Rise 100	W005003005	101x46,5x12	9,5	1	1	27
Spring Rise 100	W005004005	101x46,5x12	9,5	2	1	27
Spring Rise 120	W005005005	121x46,5x12	9,5	2	1	31

* For tolerances, view ceramic washbasin quality control sheet.



Spring Rise Fountain Left



Spring Rise Fountain Right



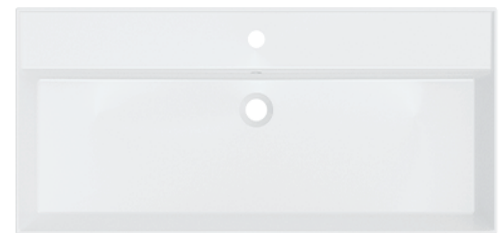
Spring Rise Fountain Pebble grey



Spring Rise 60



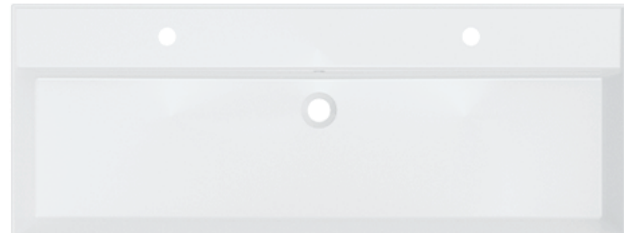
Spring Rise 80



Spring Rise 100 (1 tap hole)



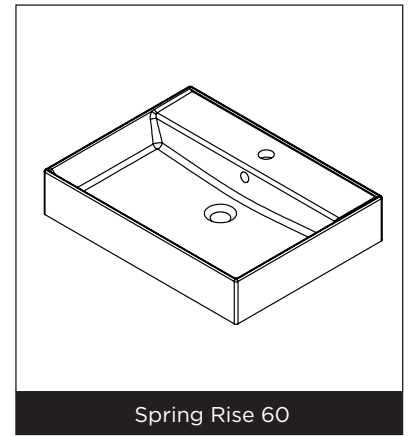
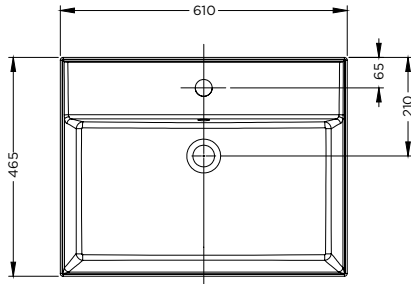
Spring Rise 100 (2 tap holes)



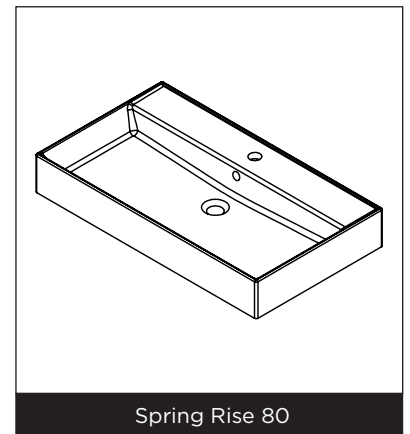
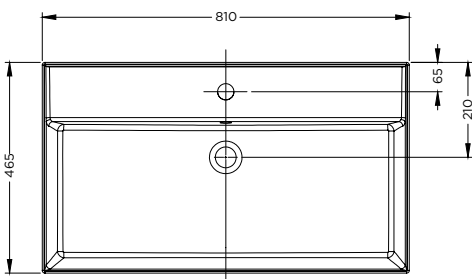
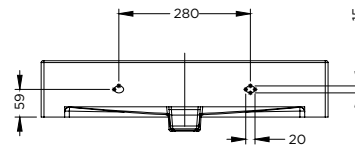
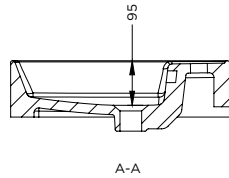
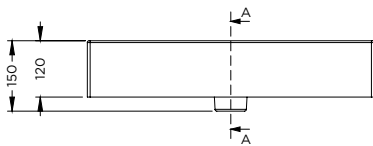
Spring Rise 120

Data subject to change

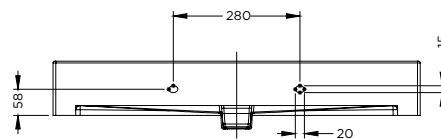
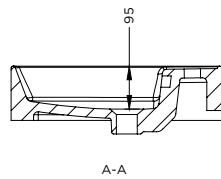
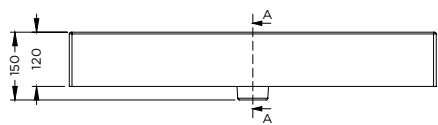
SPRING RISE



Spring Rise 60

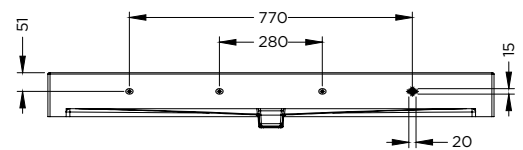
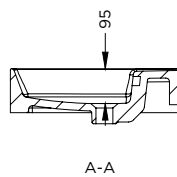
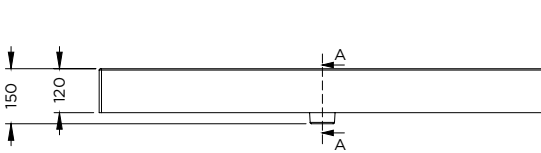
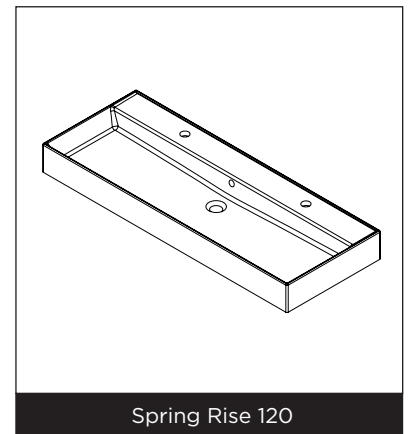
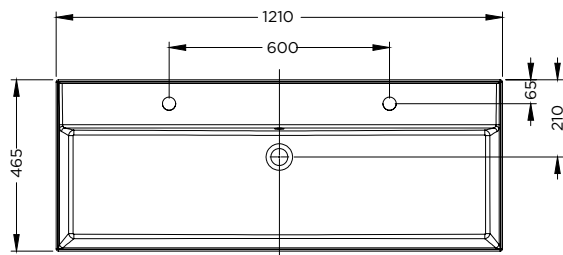
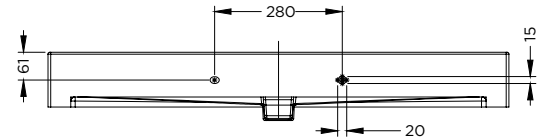
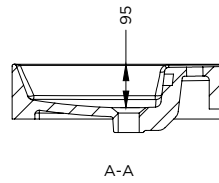
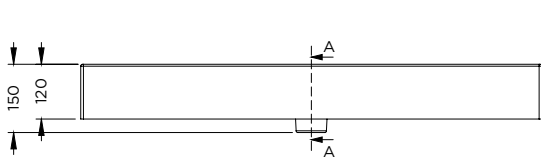
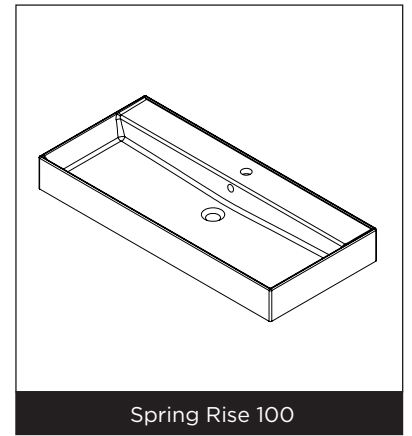
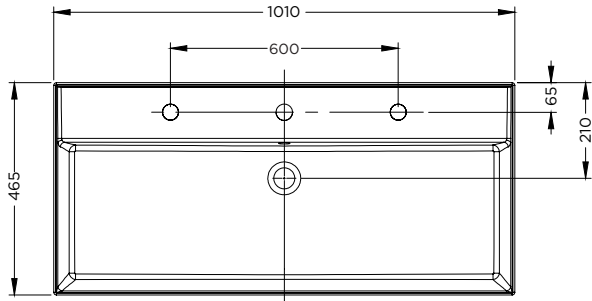


Spring Rise 80



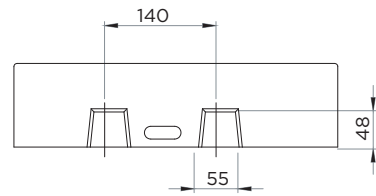
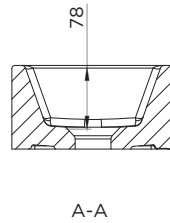
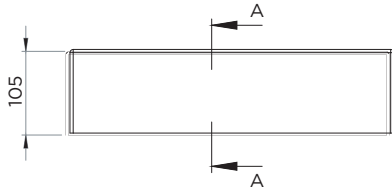
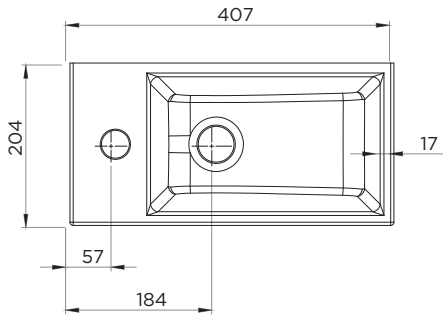
Data subject to change

SPRING RISE



Data subject to change

SPRING RISE Fountain



Data subject to change