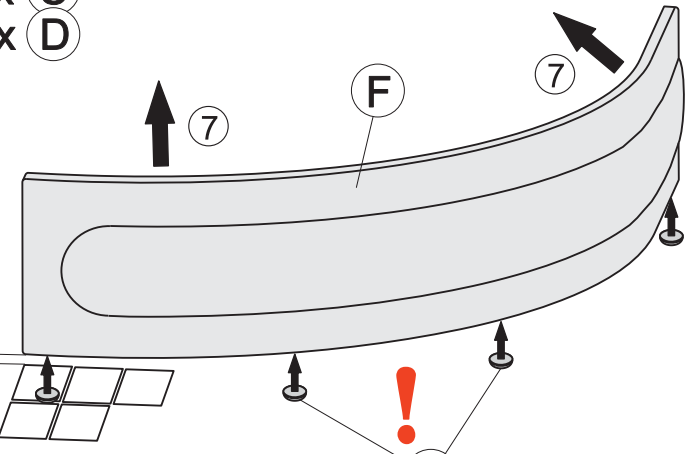
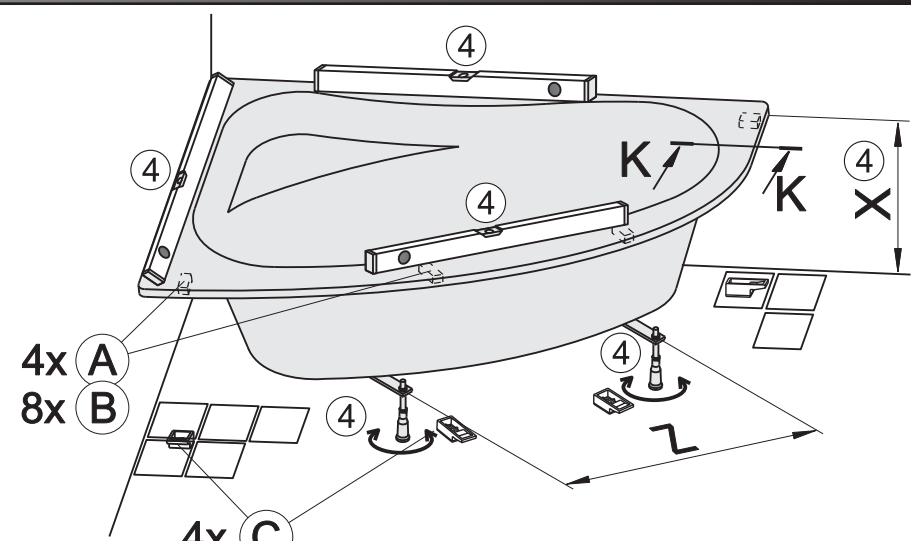
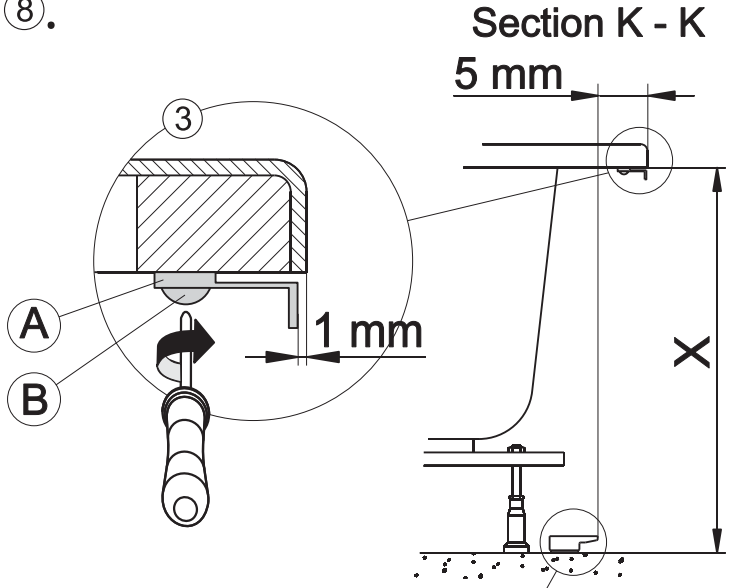
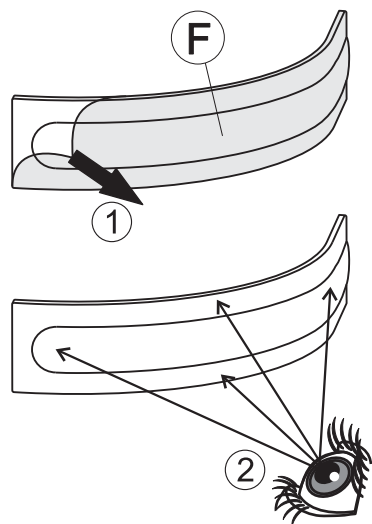




| | | | | | |
|------------------------------|------------------------------|------------------------------|------------------------------|------------------------------|------------------------------|
| A 4x 566004014 | B 8x 130601127 | C 4x 566004013 | D 4x 590400245 | E 4x 566004414 | F 1x 566004414 |
|------------------------------|------------------------------|------------------------------|------------------------------|------------------------------|------------------------------|

①, ②, ③, ④, ⑤, ⑥, ⑦, ⑧.



| [mm] | | | | | | |
|------------------|-----|---|-----|-----|---|---|
| | X | Y | Z | X | Y | Z |
| Lyra-O 140 | 572 | 0 | 700 | 578 | 6 | - |
| Lyra-O 153 | 572 | 0 | 800 | 578 | 6 | - |
| Nora | 588 | 0 | 800 | 594 | 6 | - |
| Delta 150 | 568 | 0 | 650 | 574 | 6 | - |
| Delta 160, Yukon | 568 | 0 | 750 | 574 | 6 | - |
| Geta 160 | 586 | 0 | 830 | 592 | 6 | - |
| Geta 170 | 586 | 0 | 930 | 592 | 6 | - |

