

AUSTIN



This high-gloss white acrylic bath is a symmetrical corner bath with a surprising amount of lounging space. Ideal for the compact bathroom. The triangular interior space has been made as large as possible, so it is also very suitable for a small family. This bath also looks a bit like the Atlanta model, which has a quarter-round front. Austin has a flattened front, so this bath is also good for tiling.

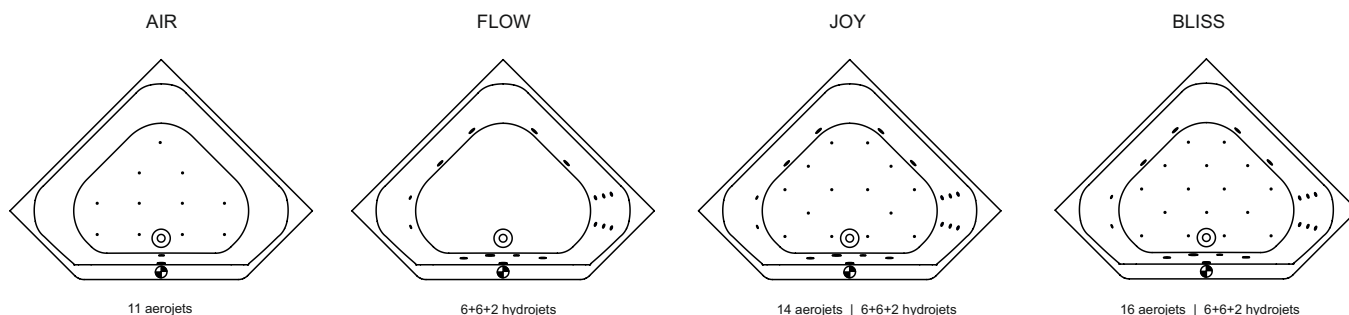
Riho acrylic baths are made of high-quality cast acrylic, fully reinforced and all through white in colour. Our acrylic baths are non-aging and UV resistant. The material is completely pore-free and smooth. Lime will adhere poorly so no bacteria remain, also it makes the baths easy to clean. Its surface is pleasantly warm. Standard the bath doesn't include a legset and overflow/drain.

Article nr.	L x W x H (cm)	Volume** (ltr)	Weight (kg)	Water height (cm)	Option Rihopool***
B005001005	145 x 145 x 48	270	33	40	Air / Joy / Flow / Bliss
B005019005 p&p*	145 x 145 x 62	270	51	40	x

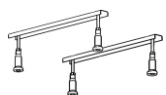
* Plug&Play are versions with glued panels for corner placement. These baths include a leg set.

** The contents of the baths are measured including the (average) volume of one person.

*** Rihopool whirlpool systems already include a legset.



Additional to purchase



Legset 07
207095

Whirlpools already include a legset!



Mc Alpine
208867



Riho black
208711



Viega Multiplex
208873



Viega Multiplex Trio
208875

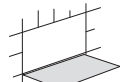
Optional



Headrest 19
207043



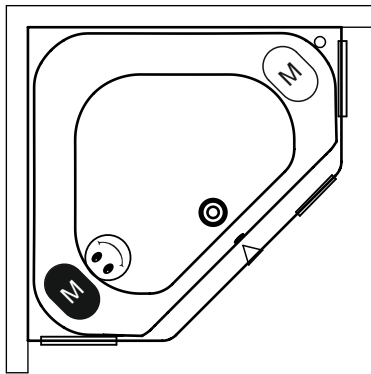
Headrest 19
207044



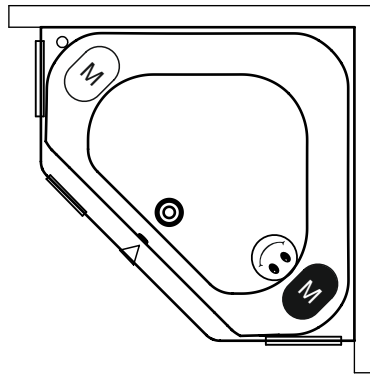
Inspection hatch
207019





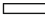
Data is subject to changes and/or errors

Right type

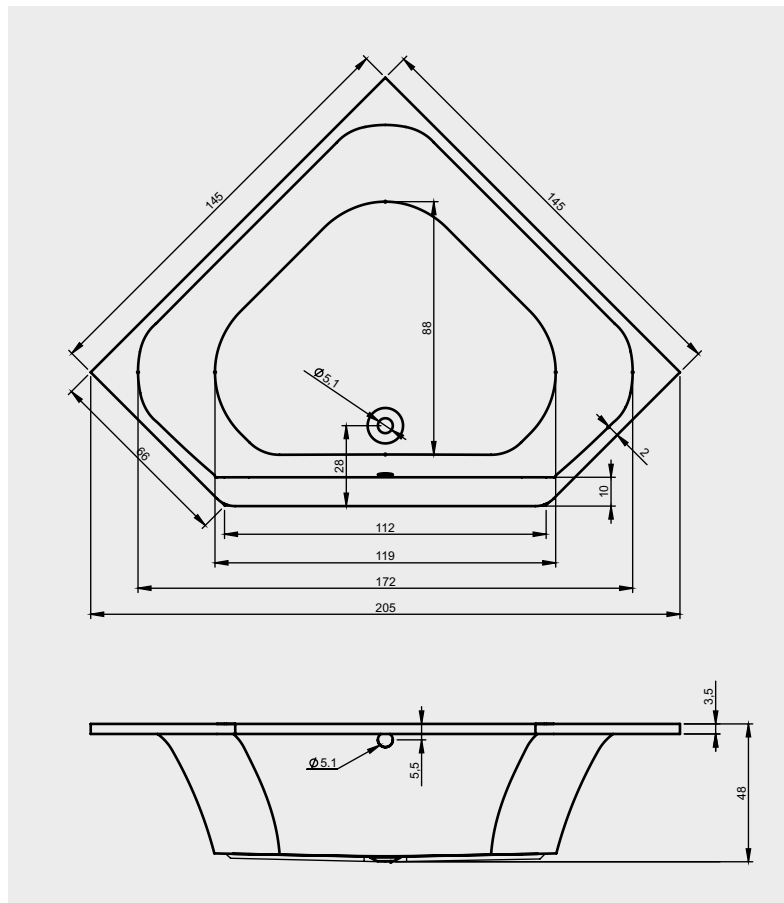


Left type

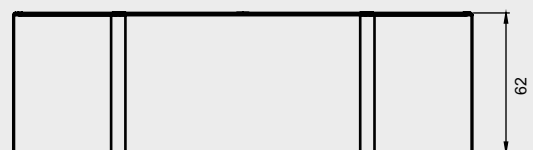
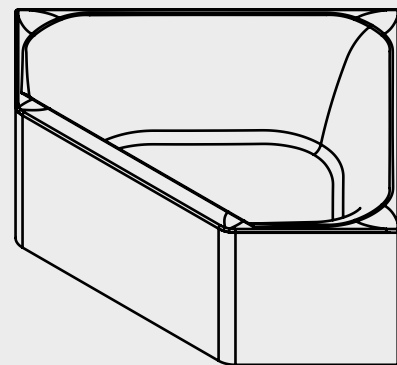


-  Motor in Air or Flow (Hydro of Aero)
Hydro motor in Joy and Bliss (Hydro + Aero)
-  Aero Motor in Joy and Bliss (Hydro + Aero)
-  Control panel
-  Cleanpool inlet
-  Service hatch

BATH	Acryl panel	Height (cm)
B005001005	209267	55,8



PLUG & PLAY



Data is subject to changes and/or errors