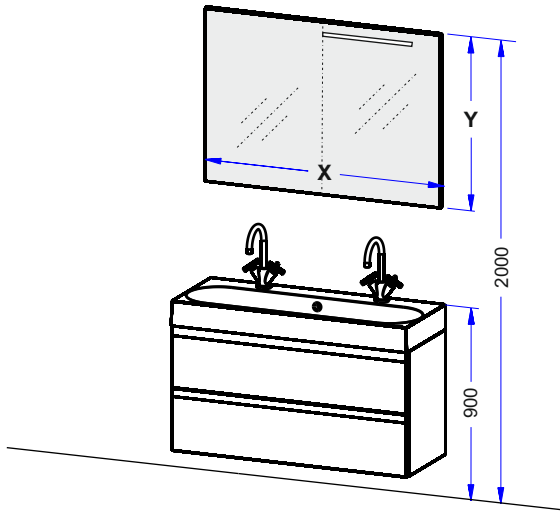
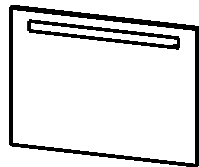
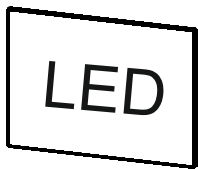
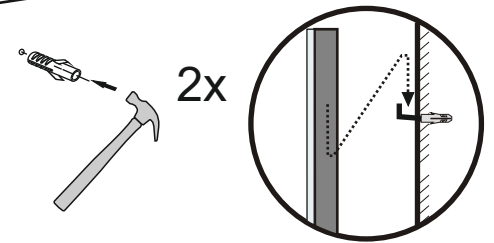
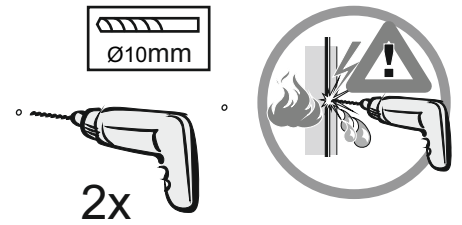
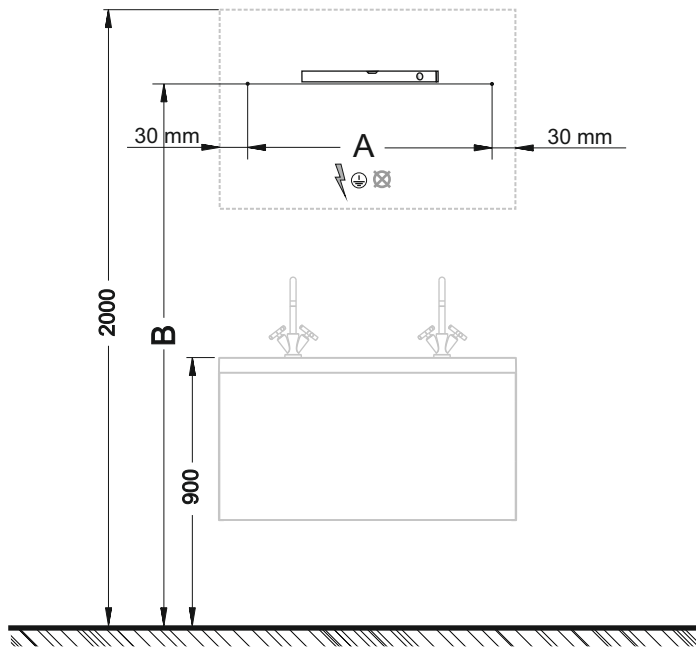
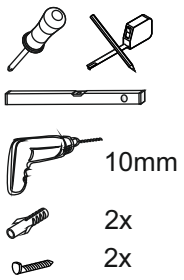


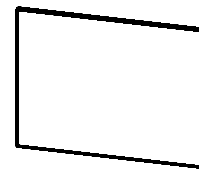
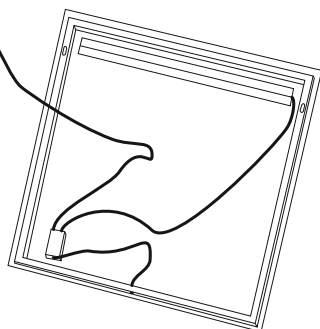
# Spiegel - Mirroir - Mirror



|     | X    | Y   | A       | B       |
|-----|------|-----|---------|---------|
| 40  | 400  | 800 | 340 mm  | 1888 mm |
| 60  | 600  | 800 | 540 mm  | 1888 mm |
| 80  | 800  | 800 | 740 mm  | 1888 mm |
| 100 | 1000 | 800 | 940 mm  | 1888 mm |
| 120 | 1200 | 800 | 1140 mm | 1888 mm |
| 130 | 1300 | 800 | 1240 mm | 1888 mm |
| 140 | 1400 | 800 | 1340 mm | 1888 mm |
| 160 | 1600 | 800 | 1540 mm | 1888 mm |



230 VAC (P+N)



230 VAC (P+N)

