

WINNIPEG

This high-gloss white acrylic bathtub has a hexagonal shape, so it should be placed diagonally in the corner of a bathroom. A triangular laying area is then created behind the bath. This bath has a unique shape in the large range of baths at RIHO. The bath with a narrow rim has a lowered seat in the corner. A great family bath.



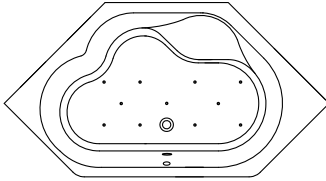
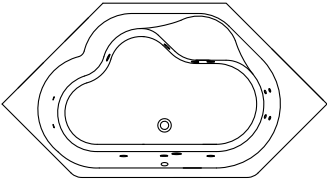
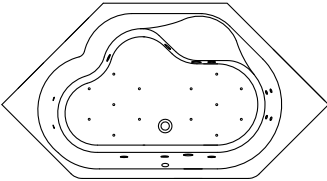
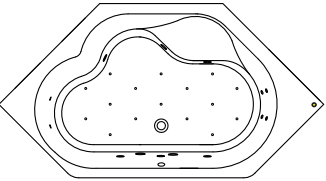
Riho acrylic baths are made of high-quality cast acrylic, fully reinforced and all through white in colour. Our acrylic baths are non-aging and UV resistant. The material is completely pore-free and smooth. Lime will adhere poorly so no bacteria remain, also it makes the baths easy to clean. Its surface is pleasantly warm. Standard the bath doesn't include a legset and overflow/drain.

Article nr.	L x W x H (cm)	Volume** (ltr)	Weight (kg)	Water height (cm)	Option Rihopool***
B010001005	145 x 145 x 47,5	225	28	39	Air / Joy / Flow / Bliss
B010011005 p&p*	145 x 145 x 62	225	38	39	x

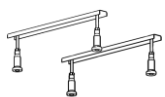
* Plug&Play are versions with glued panels for corner placement. These baths include a leg set.

** The contents of the baths are measured including the (average) volume of one person.

*** Rihopool whirlpool systems already include a legset.

AIR	FLOW	JOY	BLISS
			
11 aerojets	6+6+2 hydrojets	14 aerojets 6+6+2 hydrojets	16 aerojets 6+6+2 hydrojets

Additional



Legset 01U
207093

Whirlpools already include a legset!



Mc Alpine
208867



Riho black
208711



Viega Multiplex
208873



Viega Multiplex Trio
208875

Optional



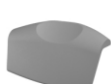
Headrest 19
207043



Headrest 19
207044



Headrest 05
207024



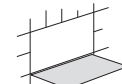
Headrest 05
207025



Headrest 23
207051

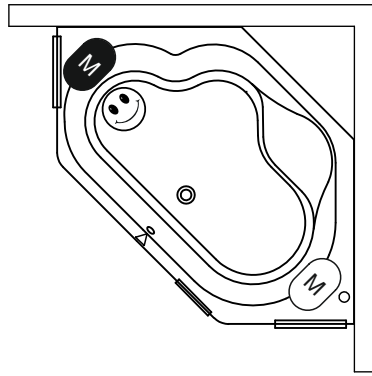
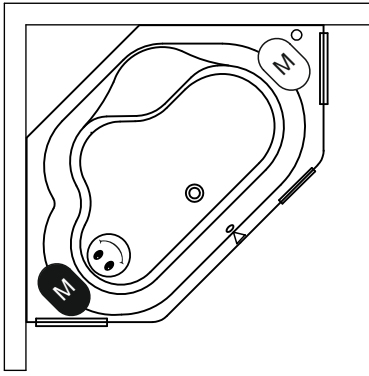


Headrest 23
207050

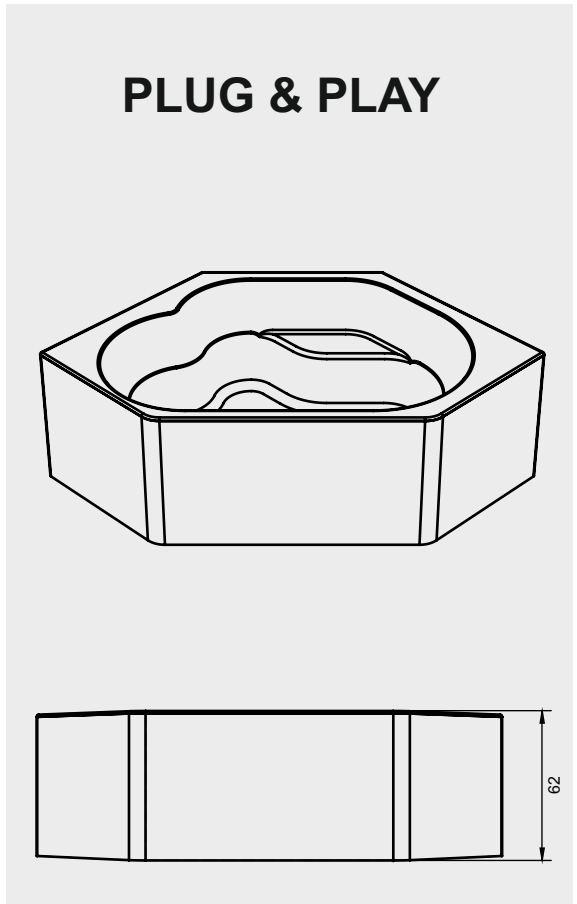
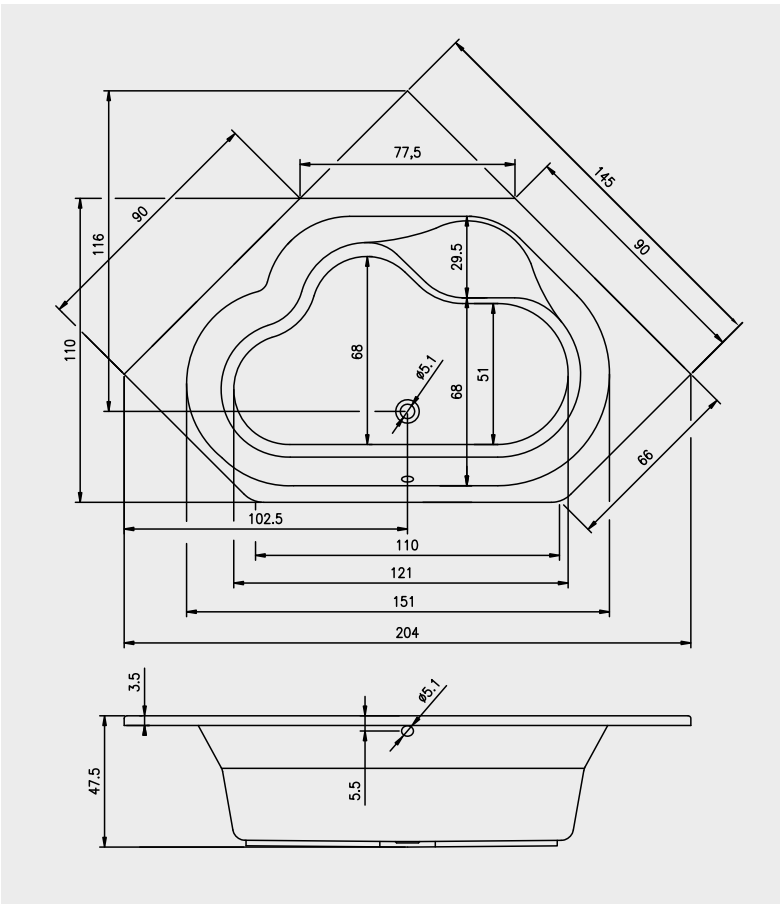


Inspection hatch
207019

Data is subject to changes and/or errors



- Motor in Air or Flow (Hydro or Aero)
Hydro motor in Joy and Bliss (Hydro + Aero)
- Aero Motor in Joy and Bliss (Hydro + Aero)
- Control panel
- Cleanpool inlet
- Service hatch



Data is subject to changes and/or errors