

SPRING RISE



Characteristic

- Ceramic
- Glossy White
- Overflow

Washbasin	Article Nr.	WxDxH (cm)	Height Inner Basin (cm)	Tap Holes	Sinks	Weight (kg)
Spring Rise 60	W005001005	61x46,5x12	9,5	1	1	16
Spring Rise 80	W005002005	81x46,5x12	9,5	1	1	22
Spring Rise 100	W005003005	101x46,5x12	9,5	1	1	27
Spring Rise 100	W005004005	101x46,5x12	9,5	2	1	27
Spring Rise 120	W005005005	121x46,5x12	9,5	2	1	31

* For tolerances, view ceramic washbasin quality control sheet.



Spring Rise 60



Spring Rise 80



Spring Rise 100 (1 tap hole)



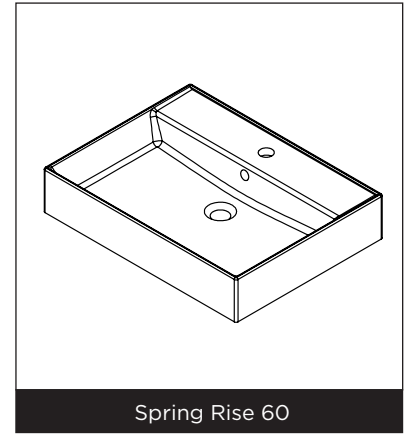
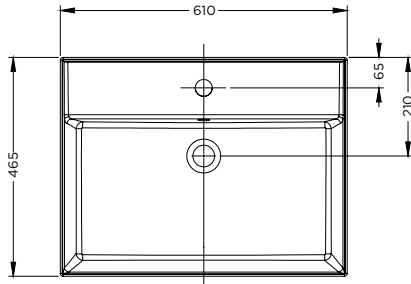
Spring Rise 100 (2 tap holes)



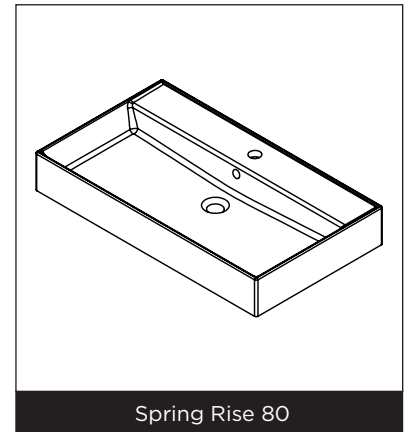
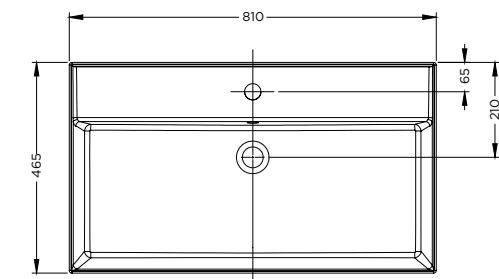
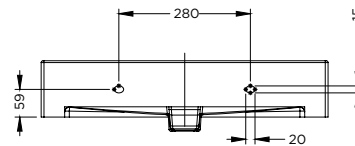
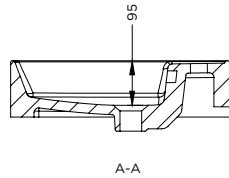
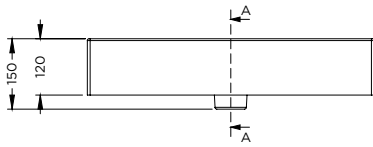
Spring Rise 120

Data subject to change

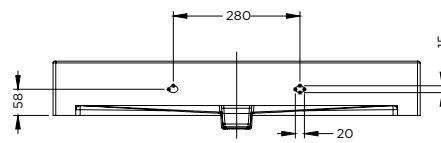
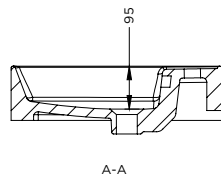
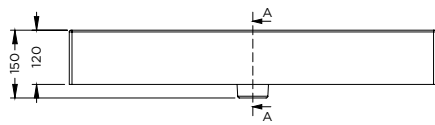
SPRING RISE



Spring Rise 60

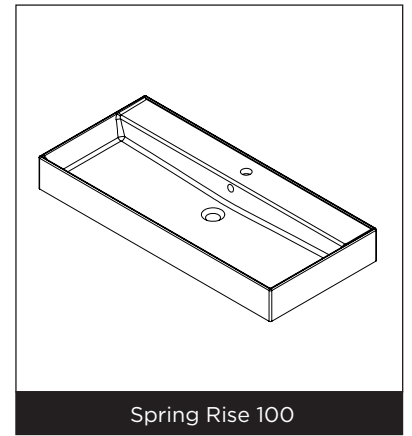
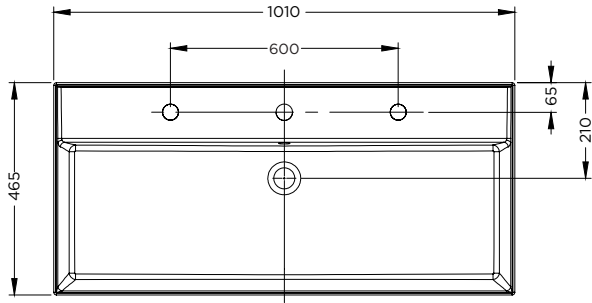


Spring Rise 80

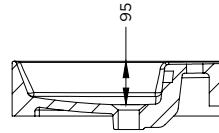
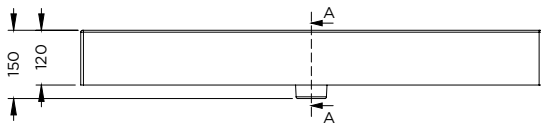


Data subject to change

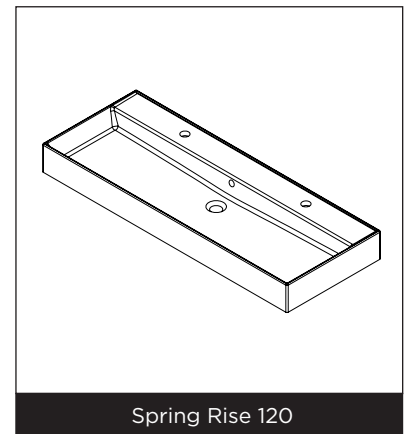
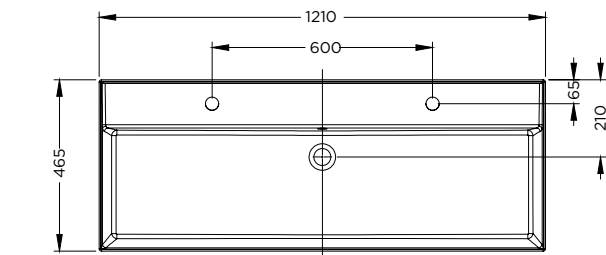
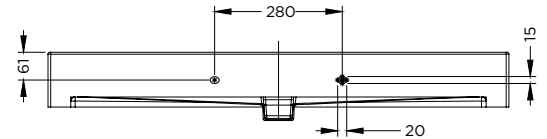
SPRING RISE



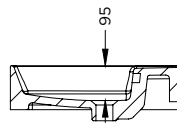
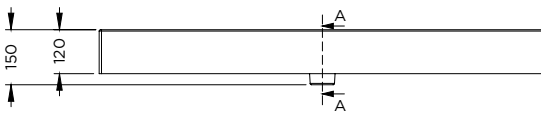
Spring Rise 100



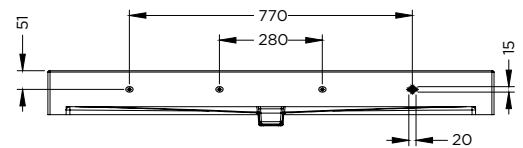
A-A



Spring Rise 120



A-A



Data subject to change