

168  
35  
cm

8mm  
4x  
4x  
2x  
4x

**1**

W-6,4  
W-1,6  
H-4

cm

W = Width  
H = Height

**2**

2x

**3**

2x

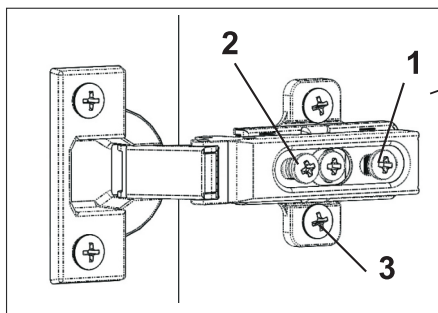
**4**

1. Adjust depth  
2. Adjust vertically

**5**

**6**

## Adjust Hinges



1. Adjust horizontally / Fixation
2. Adjust door opening
3. Adjust vertically

For lacquer high cabinets:  
Remove rubber bumpers on side panel before adjusting

Left      Right

