

## VELVET SOLE

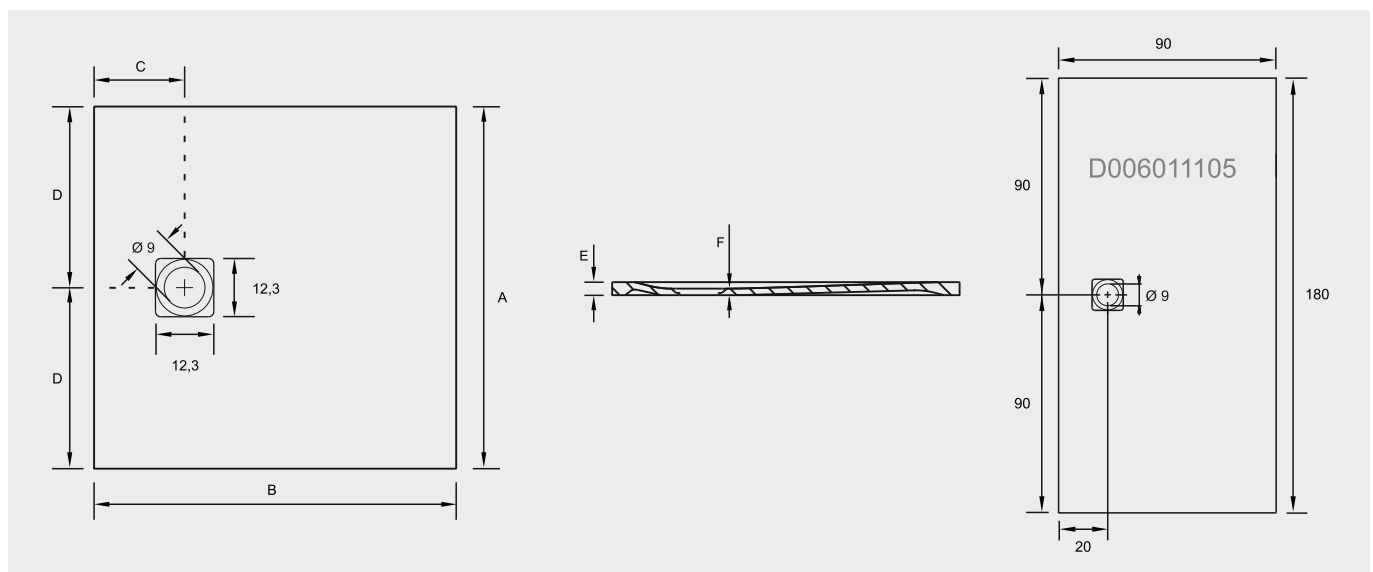
This ultra-flat design shower floor, with matt white look and a stylish solid surface finish, ensures a beautiful, serene appearance and has anti-slip characteristics. Solid surface is a homogeneous, non-porous material. Installed in the floor, the bathroom floor is equal with the Velvet Sole.

The shower floor is available in 14 dimensions. There is a separate siphon required. This siphon is stylishly finished with a beautiful matching cover in matt white or black.



Article number	A (cm)	B (cm)	C (cm)	D (cm)	E (cm)	F (cm)	Weight (kg)
D006001105	80	80	20	40	3	1,5	± 26
D006002105	80	90	20	40	3	1,5	± 30
D006003105	80	100	20	40	3	1,5	± 32
D006004105	80	120	20	40	3	1,5	± 38
D006005105	80	140	20	40	3	1,5	± 44
D006006105	90	90	20	45	3	1,5	± 32
D006007105	90	100	20	45	3	1,5	± 35
D006008105	90	120	20	45	3	1,5	± 42
D006009105	90	140	20	45	3	1,5	± 48
D006010105	90	160	20	45	3	1,5	± 55
D006011105*	*	*	*	*	3	1,5	± 62
D006012105	100	100	20	50	3	1,5	± 38
D006013105	100	120	20	50	3	1,5	± 46
D006014105	100	140	20	50	3	1,5	± 54

\* position of the drain hole deviates from the rest, here its position is on the long side of the shower floor.



Data is subject to changes and/or errors

## Necessarities:



**Drain/siphon**  
208881

## Optional:



**Matt black cover**  
208667

## Suitable for:



Grid



Hamar 2.0



Lucid



Novik



Ocean



Scandic